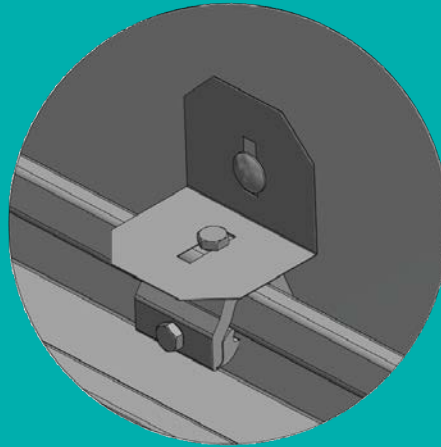


# EasyFix range

## PRODUCT DESCRIPTION

Made for all Australian weather conditions, Con-form Group's corrosion resistant fixing solutions securely anchor roof access and EasyMech mechanical/HVAC platform systems to all roof types.



**Con-form**  
GROUP  
Making it *Easy*



## APPLICATIONS AND ADVANTAGES

- Perfect for securely installing Con-form Group products direct to metal, warm roofs or concrete roofs:
- ▶ EasyAccess range of walkways
  - ▶ EasyMech MR mechanical plant platforms-anchoring direct to roof
  - ▶ EasyAcoustic range of screen - anchoring direct to roof
  - ▶ Our non-corrosive, flexible and proven fixings can withstand extreme weather conditions and are a watertight solution.
  - ▶ Flexible mounting options, subject to region location and wind conditions.
  - ▶ Allows for roof-top positioning flexibility
  - ▶ Proprietary rib mounted or purlin-braced options available - designed to maintain watertight integrity of metal deck roof

## WARRANTY

- ▶ All fixings backed by a 25 year warranty

## CERTIFICATIONS

- ▶ **Australian Standards:** AS1170.1, AS1170.2, AS 1170.4, AS 1657:2018 & AS1664.1 & Relevant Clauses of the Building Code of Australia
- ▶ Live loads rated to 2.5kPa, 5kPa or greater
- ▶ **Wind Loads:** Con-form products have been certified for wind regions A, B and C.  
V500 = 45m/s - Region A - Tc 2.5  
V500 = 57m/s - Region B - Tc 2.5  
V500 = 66m/s - Region C - Tc 2.5

## MAINTENANCE

- ▶ Visual inspection for any damage or loose fittings is recommended annually. Report any damage or loose fixings to asset manager or building owner for correction
- ▶ No certified maintenance is required that effects lifespan or performance of product

## ROOF CONNECTIONS

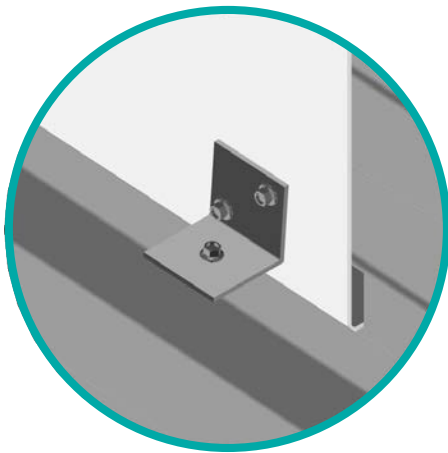
- ▶ MRPurlin MS
- ▶ MR-S5 RibBracket
- ▶ MR-S5K RibClaw
- ▶ EasyFoot CR
- ▶ EasyFoot CR Bolt

WE HAVE SOLUTIONS FOR  
MITIGATING FORCES INVOLVED IN SEISMIC  
ACTIVITY IN COMPLIANCE WITH AS1170.4

### 50x50 Clip

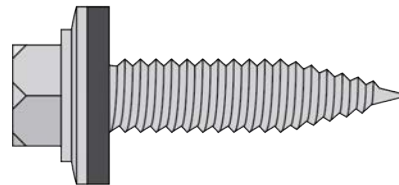
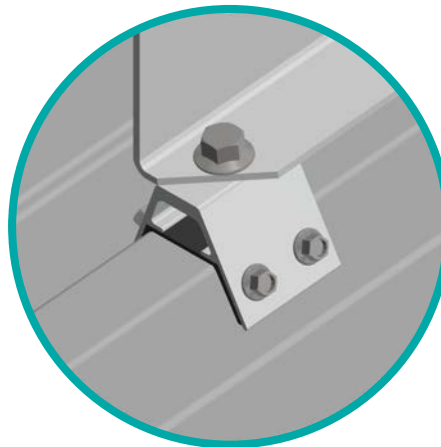
50x50 neoprene backed clip bracket. Mechanically fixed through the roof ribs into the existing purlin.

Fabricated from 5052 H-32 with 14-10 x 75 tek screw fixings.



### MR-S5® RibBracket™

MR-S5® RibBracket™, mechanically fixed to the roof ribs and sealed with a EPDM rubber gasket.

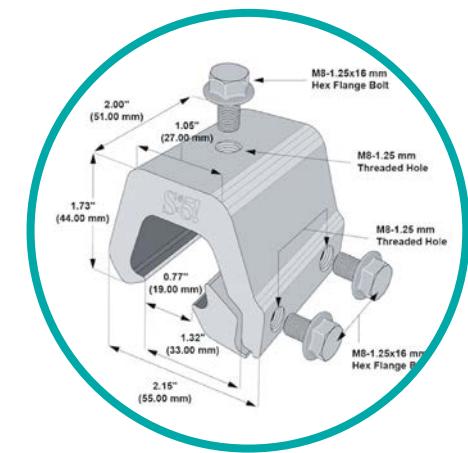


#### SCREW SPECIFICATIONS

- ▶ 6.3mm diameter, 25mm length
- ▶ Self-tapping screw with hardened steep piercing point
- ▶ 8mm Hex Head
- ▶ 16mm EPDM Sealing Washer

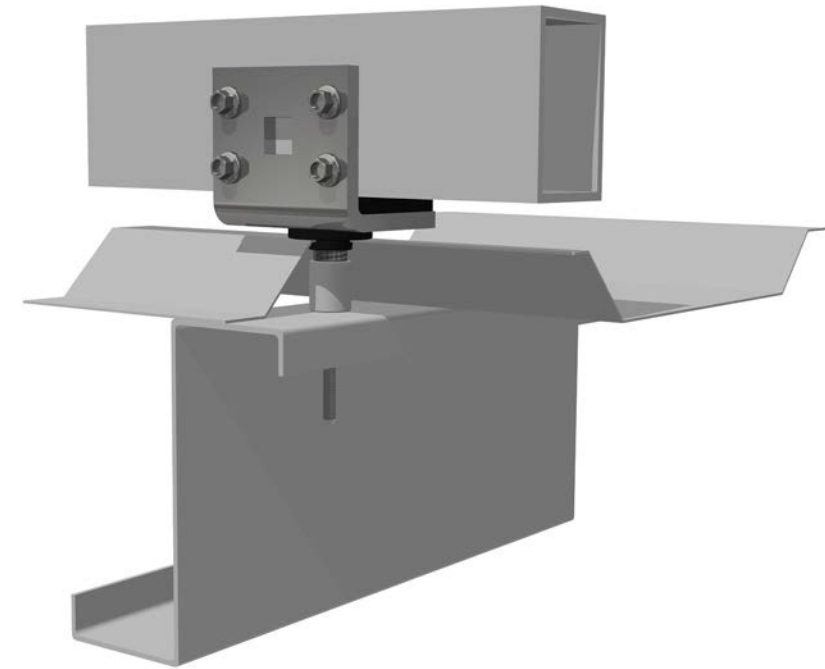
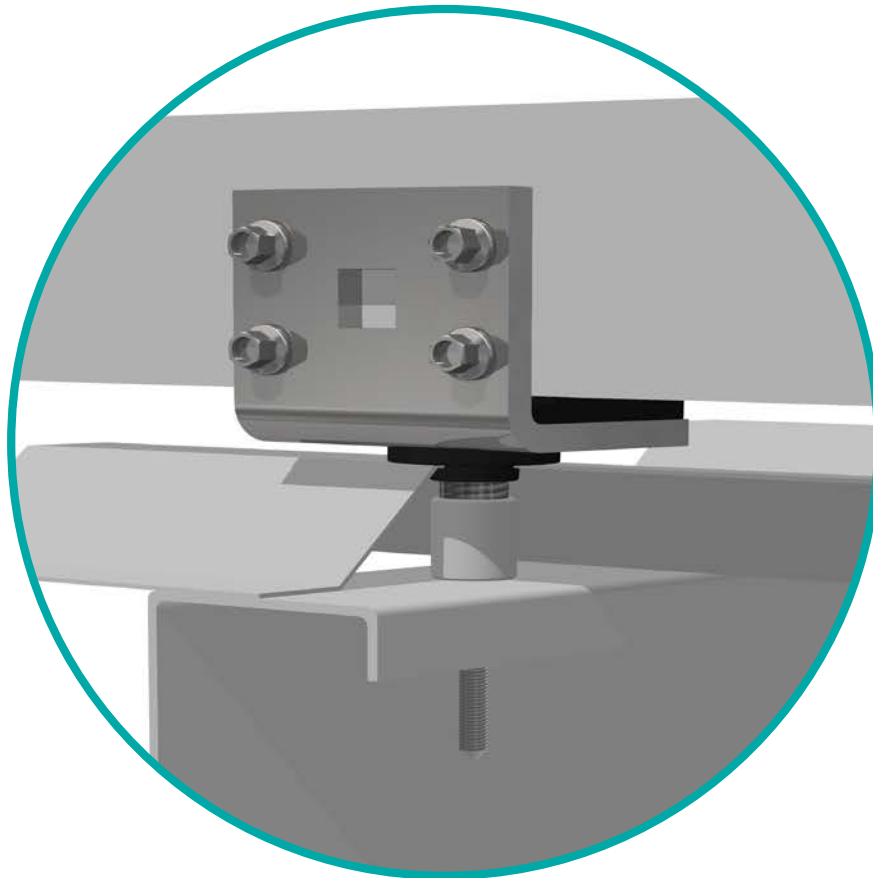
### MR-S5K® RibClaw™

MR-S5® RibClaw™, offers penetration-free fixing to roof ribs.



DESIGNED FOR WIND SPEEDS OF 45M/S AND GREATER. FOR PROJECTS WITH WIND SPEEDS OVER THIS, CONTACT CON-FORM GROUP FOR A CUSTOM SOLUTION

This system secures to the buildings purlins with our mechanical fixing to create a strong, stable and watertight solution for mounting our plant platforms and screens above the rib of the roofing sheet, providing a clear path for water, debris or snow.



Fabricated from 304 with 14-10 x 75 tek screw fixings.

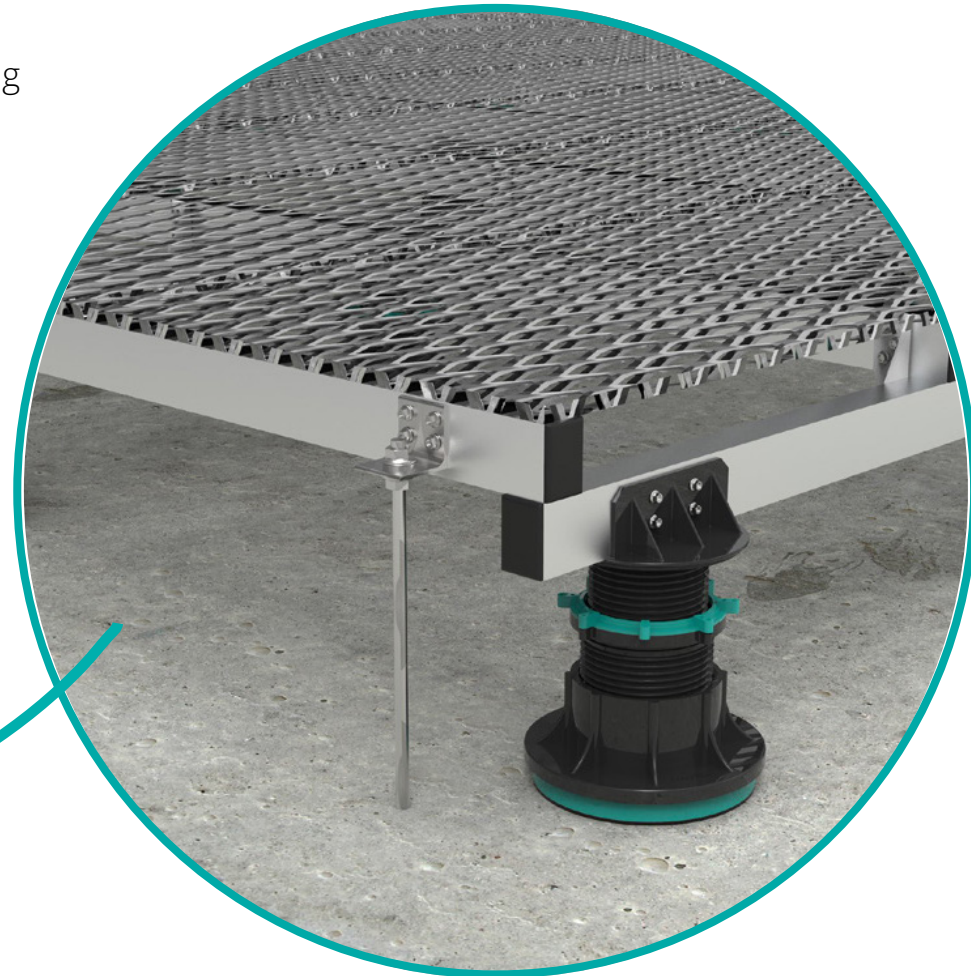
DESIGNED FOR WIND SPEEDS OF  
45M/S AND GREATER. FOR PROJECTS  
WITH WIND SPEEDS OVER THIS  
CONTACT CON-FORM GROUP FOR A  
CUSTOM SOLUTION

## FOR CONCRETE ROOFTOPS

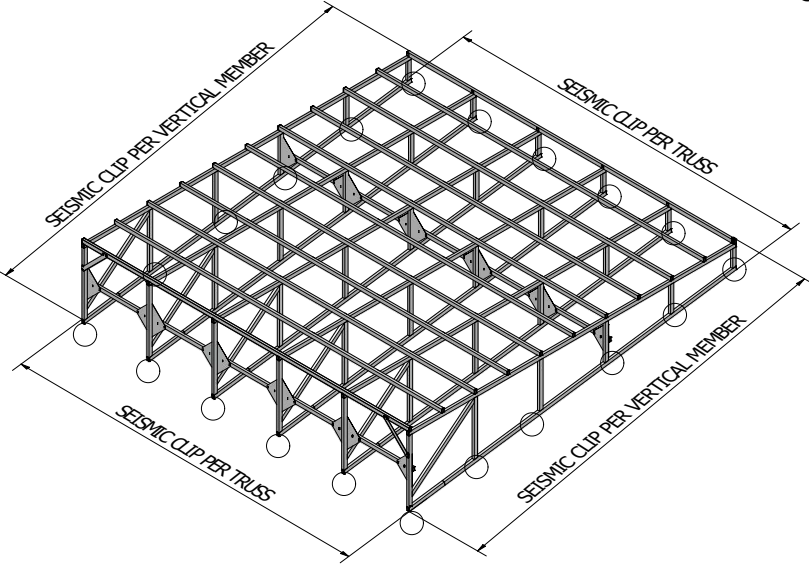
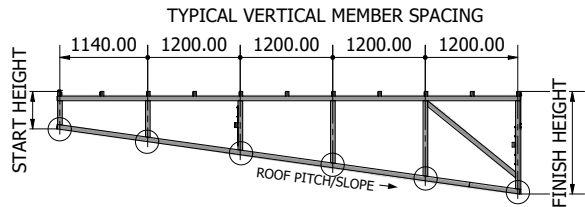
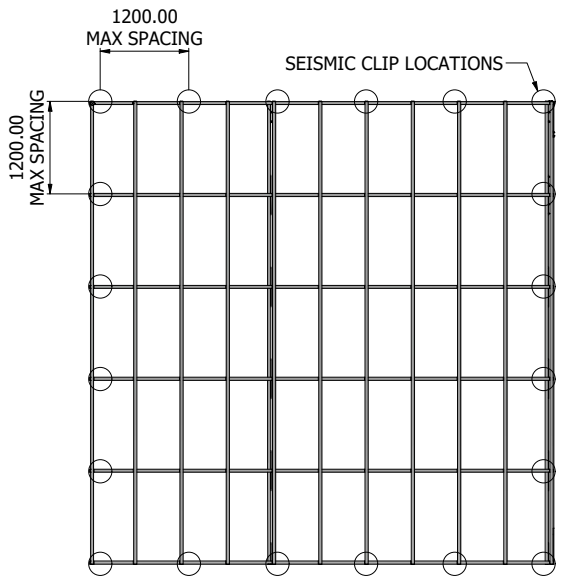
This system secures to the buildings purlins with our mechanical fixing to create a strong, stable and watertight solution for mounting our plant platforms and screens above the rib of the roofing sheet, providing a clear path for water, debris or snow.

### M12 STUD ANCHOR WITH NUT

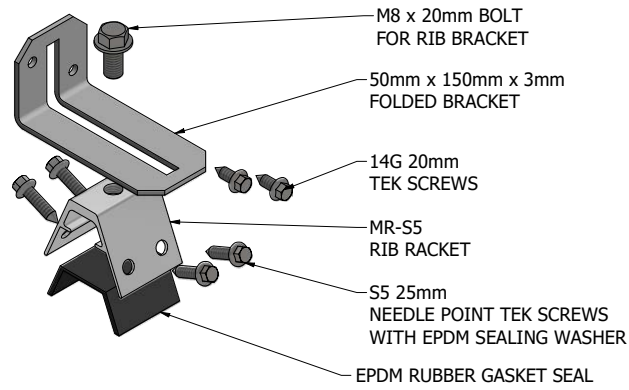
M12X400 110/90



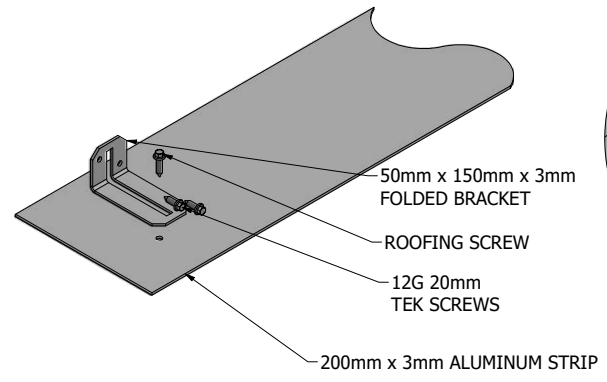
**SEISMIC CLIP GENERAL FIXING LOCATIONS**



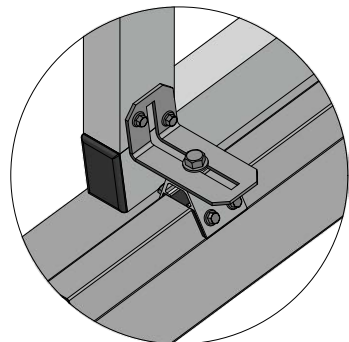
**TRIMDECK ROOF PROFILES**



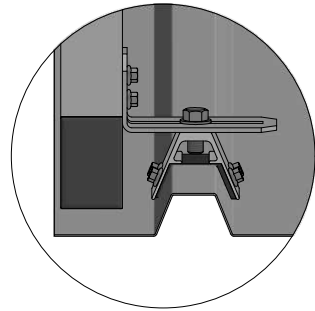
**CORRUGATED & SPEEDDECK ROOF PROFILES**



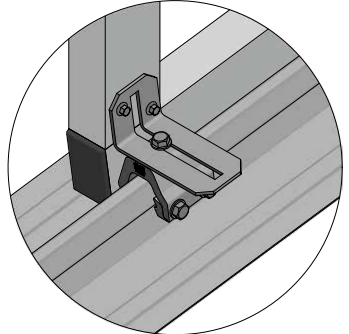
A (1 : 3)



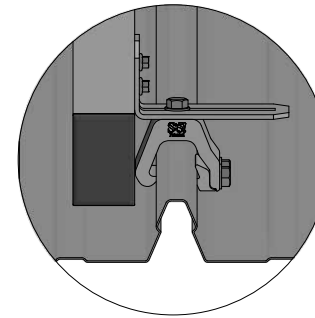
B (1 : 2.5)



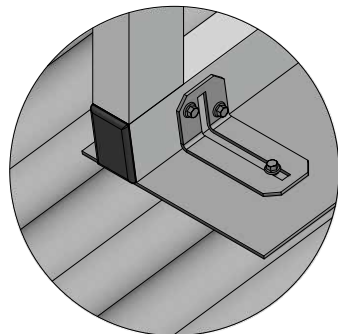
AA (1 : 3)



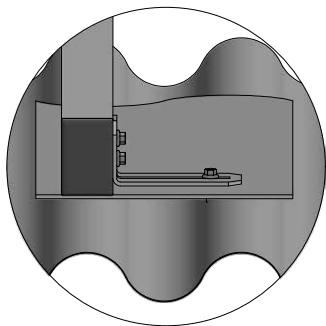
BB (1 : 2.5)



AAA (1 : 3)



BBB (1 : 3)



**DESIGN NOTES**  
 STRUCTURE IMPORTANCE = LEVEL 2  
 BUILDING HEIGHT (PRIMARY BUILDING) = < 12m  
 EARTH DESIGN CATEGORY (EDC) = 1  
 MAX LOAD RATING ON PLATFORM = 5.0kPa

 Making it Easy 62 CORPORATION AVE. BATHURST NSW 2795. info@conformgroup.com.au 1300 882 490	 ALL DIMS. GIVEN IN MM <b>NOT TO SCALE</b>
	Product <b>SEISMIC CLIP FIXING LOCATIONS</b>
Drawing Title CFG-EM-MR-SEISMIC-REV-2	Sheet 1 OF 1