

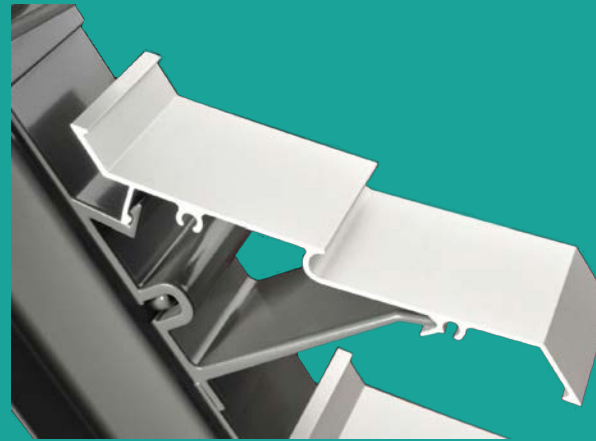
# LouvreWall airflow



## PRODUCT DESCRIPTION

**100% VISUAL BARRIER, 55% AIRFLOW**  
*(airflow can be increased as required)*

Conceal unsightly plant machinery and maximise airflow to machinery.



## APPLICATIONS AND ADVANTAGES

Perfect for a wide range of industrial applications:

- ▶ Large condenser platform screening,
  - ▶ general architectural screening,
  - ▶ compressor enclosures and screening,
  - ▶ other mechanical plant equipment enclosures.
  - ▶ Aesthetic screening with 55% open air flow & sized to suit any plant equipment. Airflow can be increased to **any** specification.
  - ▶ Aluminium components providing highly durable, long-term stability and performance.
  - ▶ Provides clean lines and a smooth low profile finish.
  - ▶ Easy, quick and economical installation - no cutting or welding required.
  - ▶ Powder coated to match any colour scheme.
  - ▶ Easy assembly, aluminium design reduces the need for additional structural requirements
  - ▶ System remains flexible during and after project design, allowing for changes late into the construction stage.
- Unique and versatile clip-on system for speedy and easy installation.

We can guarantee 100% visual barrier to your HVAC units with minimum 55% airflow thanks to our flexible louvre system

**EASY AS.**

## TECHNICAL DATA

- ▶ Lightweight at 7kg/m<sup>2</sup>
- ▶ Standard heights: 1200mm, 1600mm, 2000mm 2400mm (custom heights available upon request).
- ▶ Open space: 55% (custom spacing available on request).
- ▶ LouvreWall airflow can be sized to suit any plant equipment allowing sufficient area around the units for access.
- ▶ 100mm blade repeats.

## CERTIFICATIONS

- ▶ **Australian Standards:** AS1170.1, AS1170.2, AS1657 & AS1664.1 & Relevant Clauses of the Building Code of Australia.
  - ▶ **Wind Loads:** Wind Loads: Con-form Group products have been certified for wind regions A, B and C.
- V500 = 45m/s - Region A - Tc 2.5  
 V500 = 57m/s - Region B - Tc 2.5  
 V500 = 66m/s - Region C - Tc 2.5

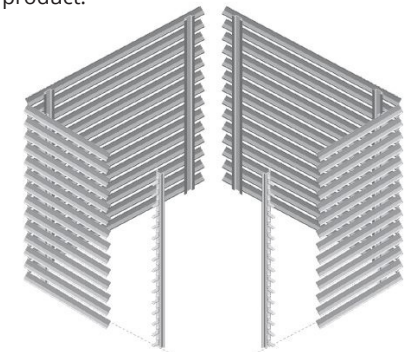


## WARRANTY

- ▶ Components backed by a 25 year warranty.

## MAINTENANCE

- ▶ Visual inspection for any damage or loose fittings is recommended annually. Report any damage or loose fixings to asset manager or building owner for correction.
- ▶ No certified maintenance is required that effects lifespan or performance of product.



VERSATILE CLIP-ON SYSTEM FOR SPEEDY INSTALLATION

AVAILABLE IN A RANGE OF COLORBOND®  
COLOURS TO CHOOSE FROM

Conceal plant machinery with a range of classic and contemporary colours to match the Colorbond Steel range

CLASSIC COLOUR RANGE



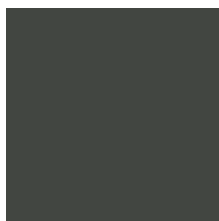
CLASSIC CREAM



PAPERBARK



PALE EUCALYPT



WOODLAND GREY



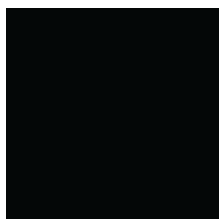
DEEP OCEAN



COTTAGE GREEN



MANOR RED



NIGHT SKY

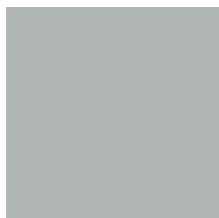
CONTEMPORARY COLOUR RANGE



SURFMIST



EVENING HAZE



SHALE GREY



DUNE



COVE



WINDSPRAY



GULLY



MANGROVE



WALLABY



JASPER



BASALT



IRONSTONE



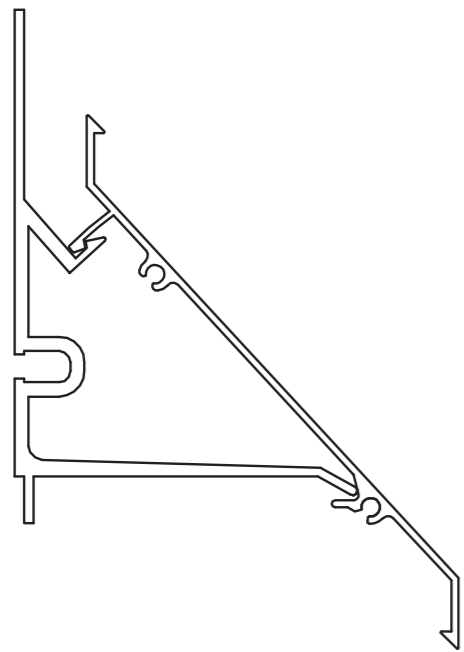
TERRAIN



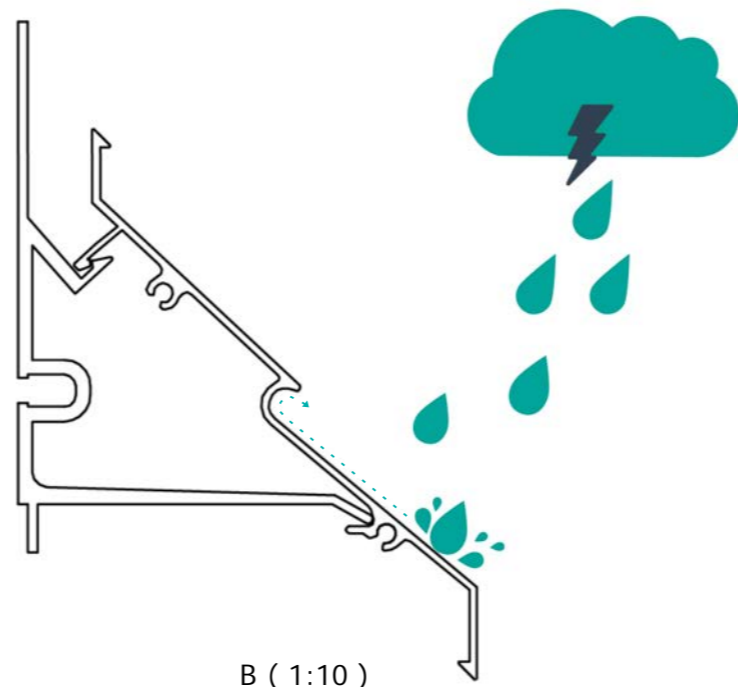
MONUMENT



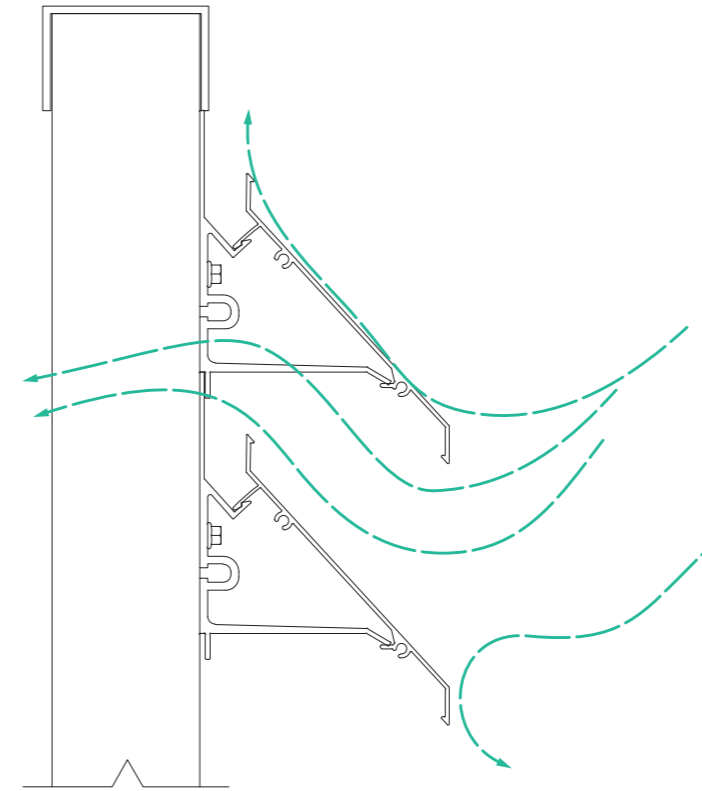




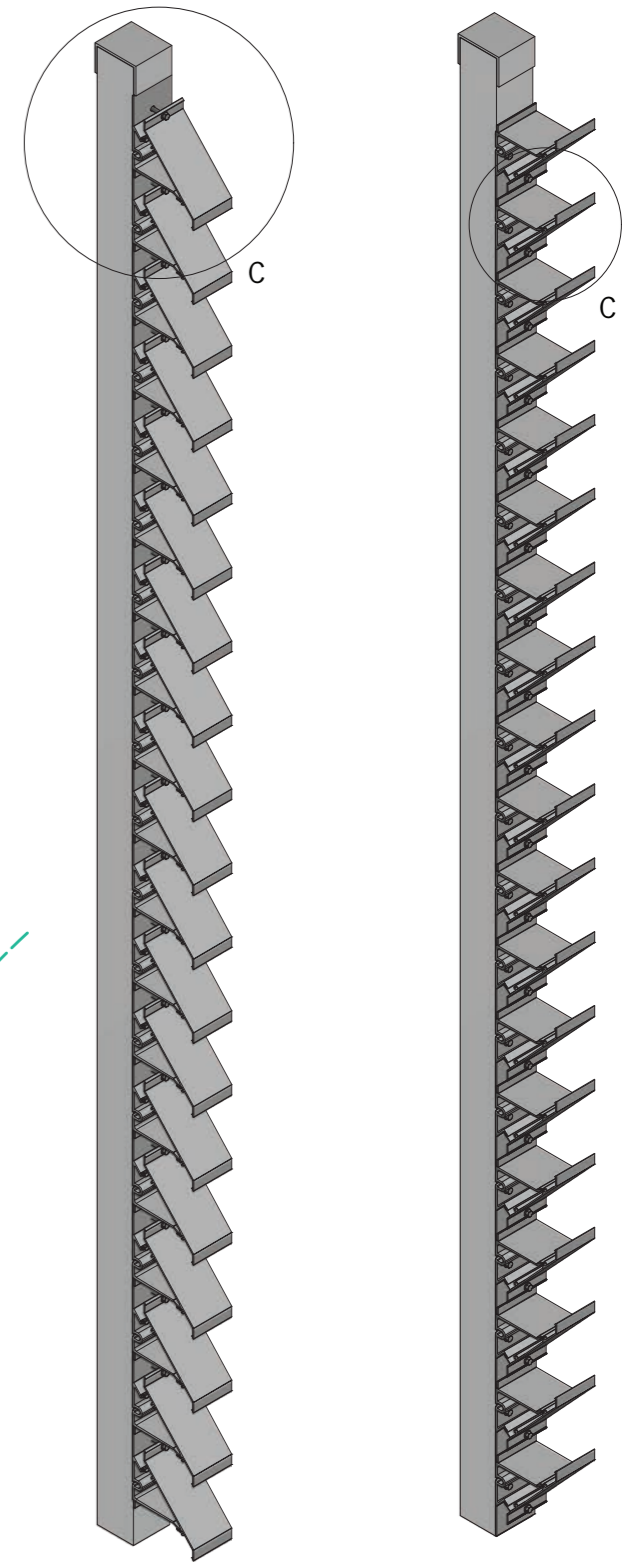
A ( 1:10 )  
POWDERCOATED WEATHER LV-100 LOUVRE



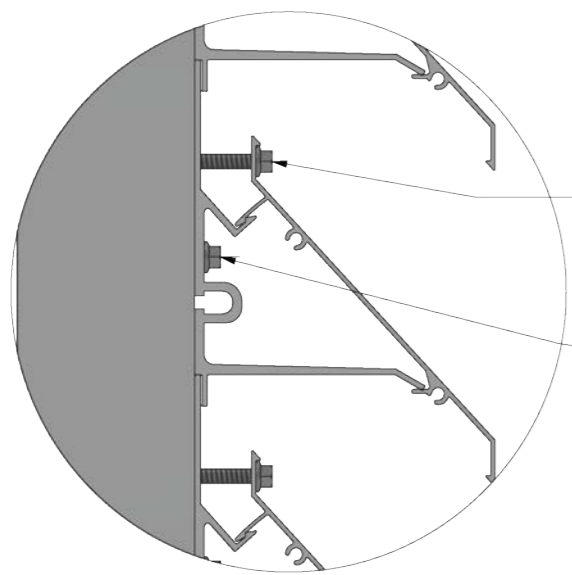
B ( 1:10 )  
POWDERCOATED STORM LV-100 LOUVRE



E ( 1:10 )  
55% AIRFLOW (STANDARD)  
AIRFLOW CAN BE INCREASED AS REQUIRED



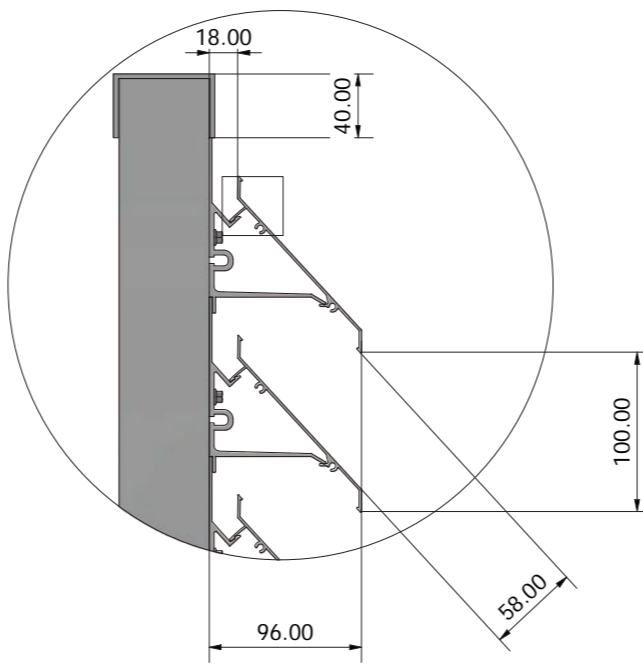
F FLEXIBLE VISUAL BARRIER POSITIONING



C FIXING DETAIL

4.8G x 35MM TEK  
x1 OFF AT EACH END  
OF LOUVRE LENGTH

4.8G x 16MM TEK  
x2 OFF PER BRACKET



D ( 1:10 )  
100MM REPEATS

**Product Options:**

- Acoustic Screens
- Access Steps
- Equipment Mounting Rails
- Architectural Screens
- Access Openings
- Access Door Options

**Notes:**

Dimensions shall not be obtained by scaling the drawings  
This certification covers the platform only, and does not cover any surrounding structures.

**Design Certification:**

The following review has been carried out in accordance with the following SAI Codes of Practice:

- **AS/NZS 1170** Structural Design Actions Code (Parts 0, 1, and 2)
- **A/NZS 1664.1** Aluminium Structures Code

Structure Importance level 2 (normal structure), in accordance with the BCA;

Wind loads in accordance with AS/NZS 1170.2, and based on the following parameters: VR,500 = as listed in table; and Ms = 1.00, Mt = 1.00, Md, =1.00, and Mz,cat = as listed in table.

Wind loads in accordance with AS/NZS 1170.2		
Region	Vr,500 (m/s)	Mz,cat (maximum)
A	45	1.12
B	57	0.87
C	66	0.8

**Con-form GROUP**  
Making it Easy  
62 CORPORATION AVE, BATHURST NSW 2795  
info@conformgroup.com.au  
1300 882 490

ALL DIMS. GIVEN IN MM  
**NOT TO SCALE**

Product  
LouvreWall airflow

Drawing Title  
Technical Data Sheet

Sheet  
1 OF 1