

EasyMechMR

PRODUCT DESCRIPTION

Generations ahead of traditional platform structures, Con-form Group's modular, strong and lightweight platform design distributes loads evenly, reducing the structural requirements of any surface.

Con-form
GROUP

Making it *Easy*

SPECIFICATION WORDING

- ▶ System shall be Con-form Group EasyMech MR, proprietary item number EMMRS3 secured with either SMTDFX, SMKLFX or SMCGSDFX seismic clip fixings in compliance with AS1170.4.

APPLICATIONS

Perfect for a wide range of industrial applications:

- ▶ Large condensers.
- ▶ Packaged air-conditioning units.
- ▶ Other mechanical plant equipment.

FEATURES AND ADVANTAGES

- ▶ Provides clean lines and smooth profile finish.
- ▶ Unique design distributes your load evenly — reducing the structural requirements of the roof.
- ▶ Modular frames that simply plug together onsite with no cutting or welding.
- ▶ Allows for roof-top positioning flexibility.
- ▶ Reduce your duct work by placing air-conditioning units directly above internal units.
- ▶ Easy assembly reduces the need for additional structural requirements.
- ▶ System remains flexible during and after project design, allowing for changes late into the construction stage.

APPROVED FOR USE WITH ALL LEADING ROOFING BRANDS




TECHNICAL DATA

- ▶ Engineered to a live load rating of 2.5kPa, 5.0kPa and greater.
 - ▶ Lightweight at 14kg/m² - up to 20% lighter than traditional aluminium structures.
 - ▶ Built from next generation ZINCALUME® G550 steel with Activate™ technology.*
 - ▶ Corrosion & heat resistant and complete compatibility with roof sheeting.
 - ▶ Designed and tested in Australia for harsh Australian conditions.
- *Aluminium trusses available if required.

MAINTENANCE

- ▶ Visual inspection for any damage or loose fittings is recommended annually. Report any damage or loose fixings to asset manager or building owner for correction.
- ▶ No certified maintenance is required that effects lifespan or performance of product.

CERTIFICATIONS

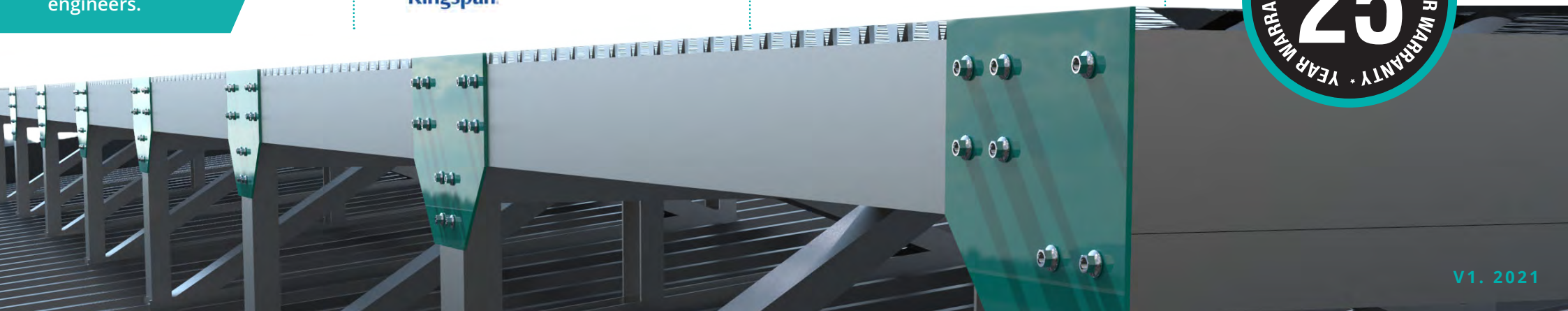
- ▶ **Australian Standards:** AS/NZS1170.1, AS/NZS1170.2, AS/NZS 1170.4, AS1657 & Relevant Clauses of the Building Code of Australia.
- ▶ Live loads rated to 2.5kPa, 5kPa or greater.
- ▶ **Wind Loads:** Con-form products have been certified for wind regions A, B and C. 
V500 = 45m/s - Region A - Tc 2.5
V500 = 57m/s - Region B - Tc 2.5
V500 = 66m/s - Region C - Tc 2.5 **A B C**

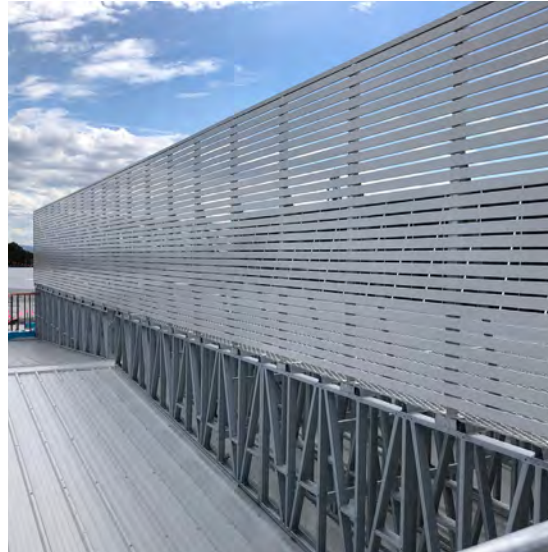
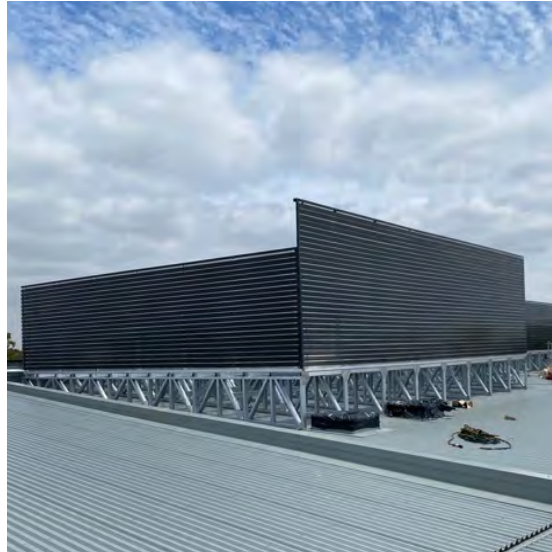
WARRANTY

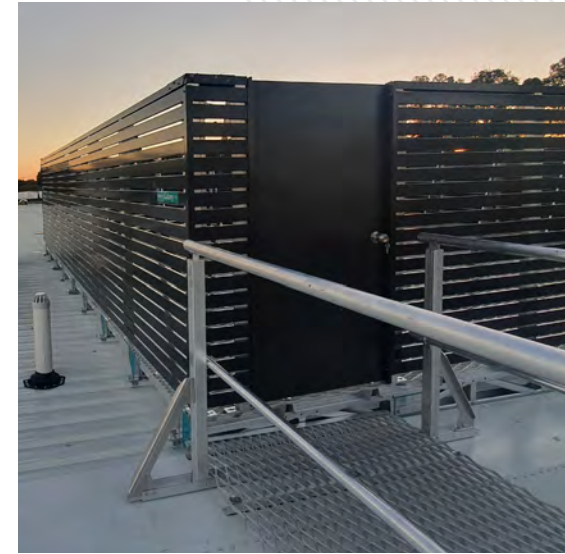
- ▶ All components backed by a 25 year warranty.

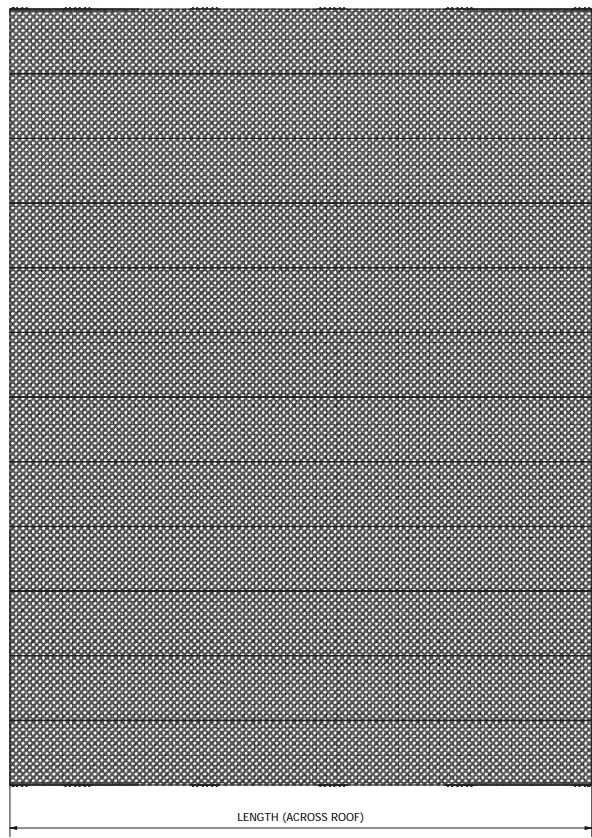


Pre-engineered by Con-form Group's proprietary software and in-house engineers.



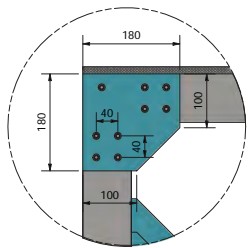
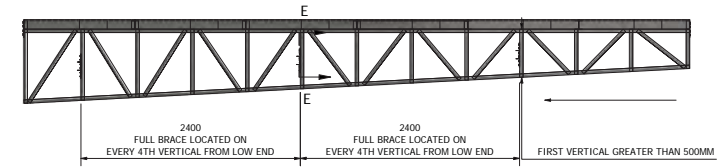
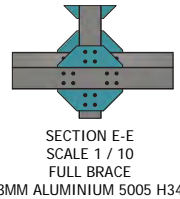
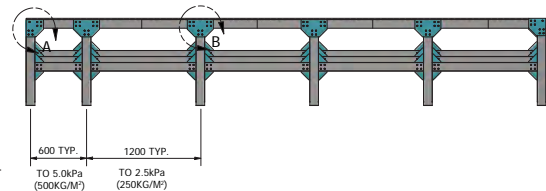
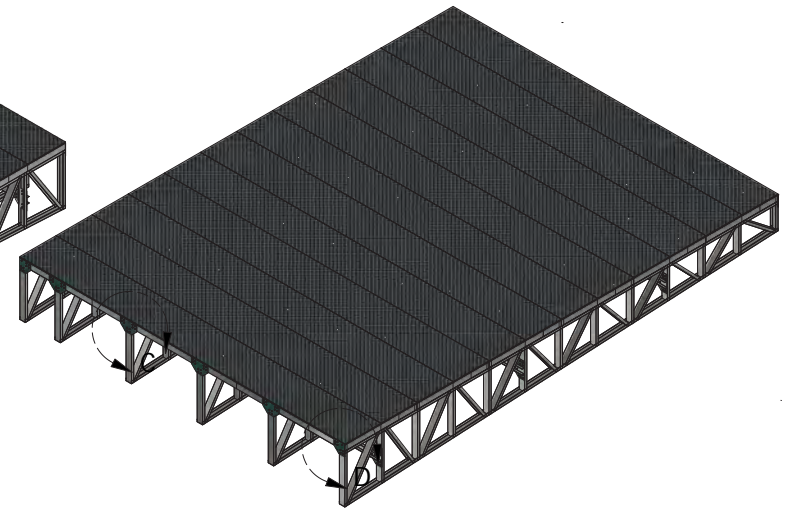
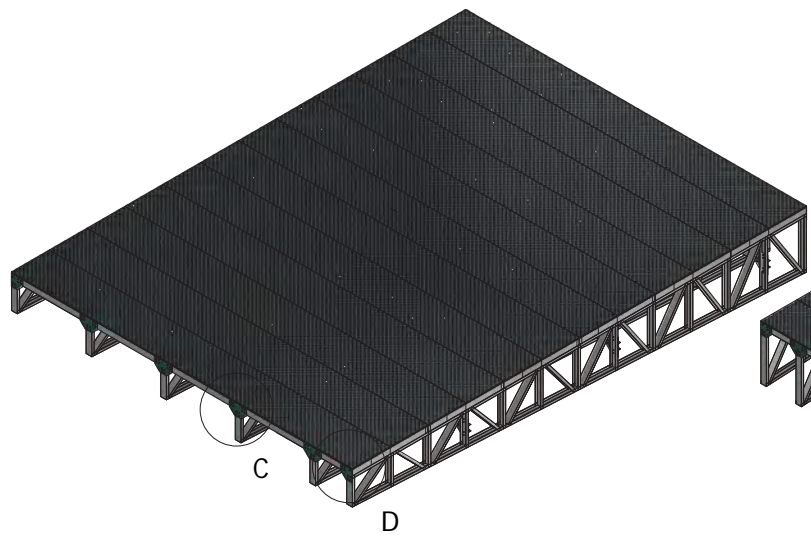




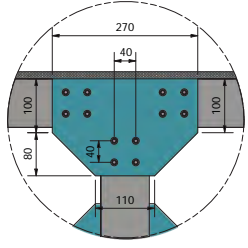


WIDTH (DOWN ROOF)

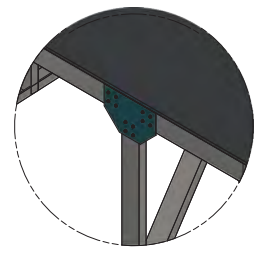
LENGTH (ACROSS ROOF)



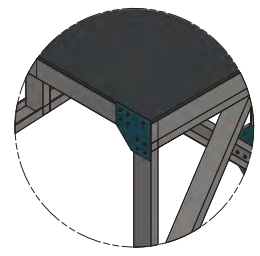
DETAIL A
SCALE 1:5
QUARTER BRACE
3MM ALUMINIUM 5005 H34



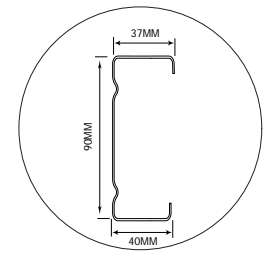
DETAIL B
SCALE 1:5
HALF BRACE
3MM ALUMINIUM 5005 H34



DETAIL C
SCALE 1 / 10
HALF BRACE LOCATED AT
FRONT AND BACK INTERMEDIATE TRUSSES



DETAIL D
SCALE 1 / 10
QUARTER BRACE AT
FRONT AND BACK CORNERS



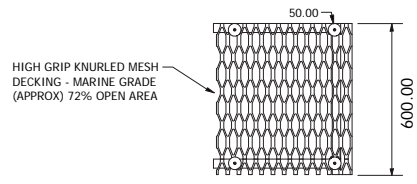
DETAIL E
ZINCALUME AM125
G550 PROFILE
90MM X 37MM X 0.75MBT

Product Options
Guard Rail
Louvre Screens
Acoustic Screens
Access Steps
Equipment Mounting Rails
Architectural Screens

Design Certification:
The following review has been carried out in accordance with the following SAI Codes of Practice:
NZBC F4/AS1 Compliance with Building Code Safety from Falling
AS 1657 Fixed Platforms, Walkways, Stairways and Ladders Code
AS/NZS 1170 Structural Design Actions Code (Parts 0, 1, 2 and 5)
Structure Importance level 2 (normal structure), in accordance with the BCA;
Super-imposed dead load to platforms = 0.20kPa

Typical Bearer Spacings	1200.00mm	600.00mm
Certified Live Loads	2.5kPa	5kPa

* Note: Bearer spacings can be tailored to project's specific requirements.



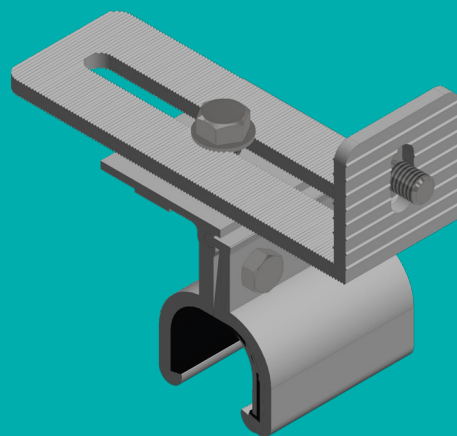
DETAIL A
KNURLED ALUMINIUM MESH

Comments
ALL DIMENSIONS ARE STATED IN MILLIMETERS
DIMENSIONS SHALL NOT BE OBTAINED BY SCALING THE DRAWINGS

DESIGN LOADS LIVE LOAD RATED TO 2.5kPa

		ALL DIM. GIVEN IN MM
		NOT TO SCALE
Product EasyMechMR	Sheet 1 OF 1	
Drawing Title Technical Data Sheet		

EasyFix range



Con-form
GROUP
Making it *Easy*

PRODUCT DESCRIPTION

Made for all Australian weather conditions, Con-form Group's corrosion resistant, penetration-free fixing solutions securely anchor roof access and EasyMech mechanical/HVAC platform systems to all roof types.



APPLICATIONS AND ADVANTAGES

Perfect for securely installing Con-form Group products direct to all surface types, including:

- ▶ EasyMech MR and EasyMech CR mechanical plant platforms-anchoring direct to roof.
- ▶ EasyAccess range of walkways & guardrails.
- ▶ EasyAcoustic range of screen - anchoring direct to roof.
- ▶ Our non-corrosive, flexible and proven fixings can withstand extreme weather conditions and are a watertight solution.
- ▶ Flexible mouting options, subject to region location and wind conditions.
- ▶ Allows for roof-top positioning flexibility
- ▶ Proprietary rib mounted or purlin-braced options available - designed to maintain watertight integrity of metal deck roof

WARRANTY

- ▶ All fixings backed by a 25 year warranty

CERTIFICATIONS

- ▶ **Australian Standards:** AS1170.1, AS1170.2, AS 1170.4, AS 1657:2018 & AS1664.1 & Relevant Clauses of the Building Code of Australia
- ▶ Live loads rated to 2.5kPa, 5kPa or greater
- ▶ **Wind Loads:** Con-form products have been certified for wind regions A, B and C.
V500 = 45m/s - Region A - Tc 2.5
V500 = 57m/s - Region B - Tc 2.5
V500 = 66m/s - Region C - Tc 2.5

MAINTENANCE

- ▶ Visual inspection for any damage or loose fittings is recommended annually. Report any damage or loose fixings to asset manager or building owner for correction
- ▶ No certified maintenance is required that effects lifespan or performance of product

ROOF CONNECTIONS FOR

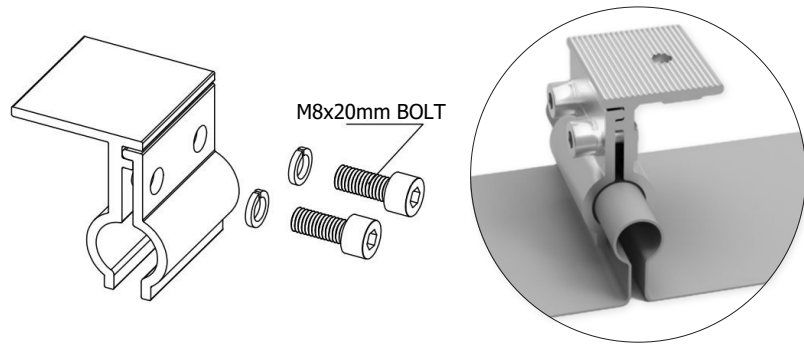
- ▶ Standing Seam Clip Roof Profiles
- ▶ Kliplock Roof Profiles
- ▶ Trimdeck Roof Profiles
- ▶ Spandek Roof Profiles

APPROVED FOR USE WITH ALL LEADING ROOFING BRANDS

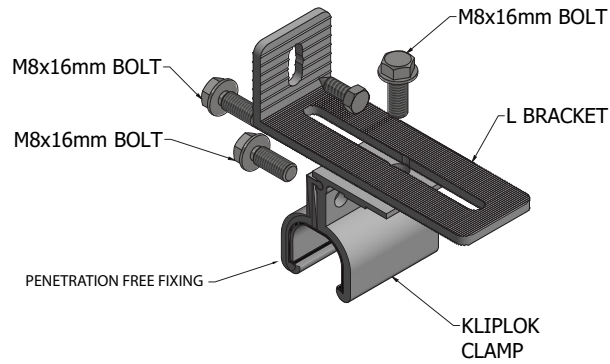


WE HAVE SOLUTIONS FOR
MITIGATING FORCES INVOLVED IN SEISMIC
ACTIVITY IN COMPLIANCE WITH AS1170.4

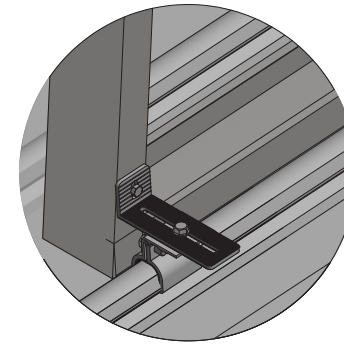
STANDING SEAM CLIP ROOF PROFILE
(Compatible with Kingspan KINGZIP)



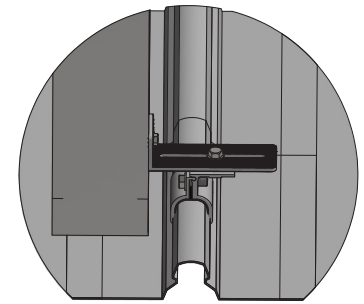
KLIPOCK ROOF PROFILES



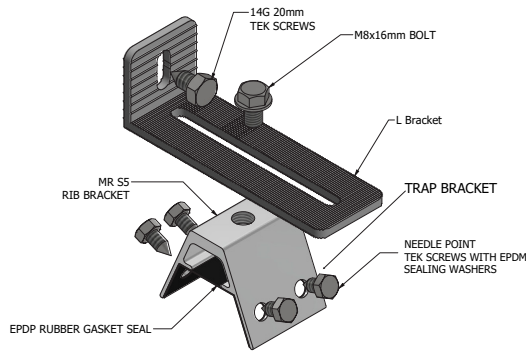
AA (1 : 3)



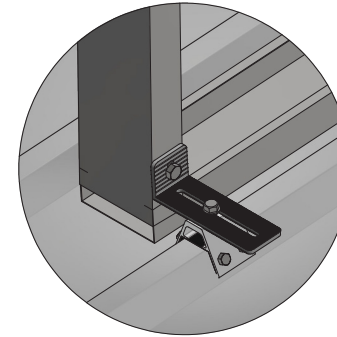
BB (1 : 5)



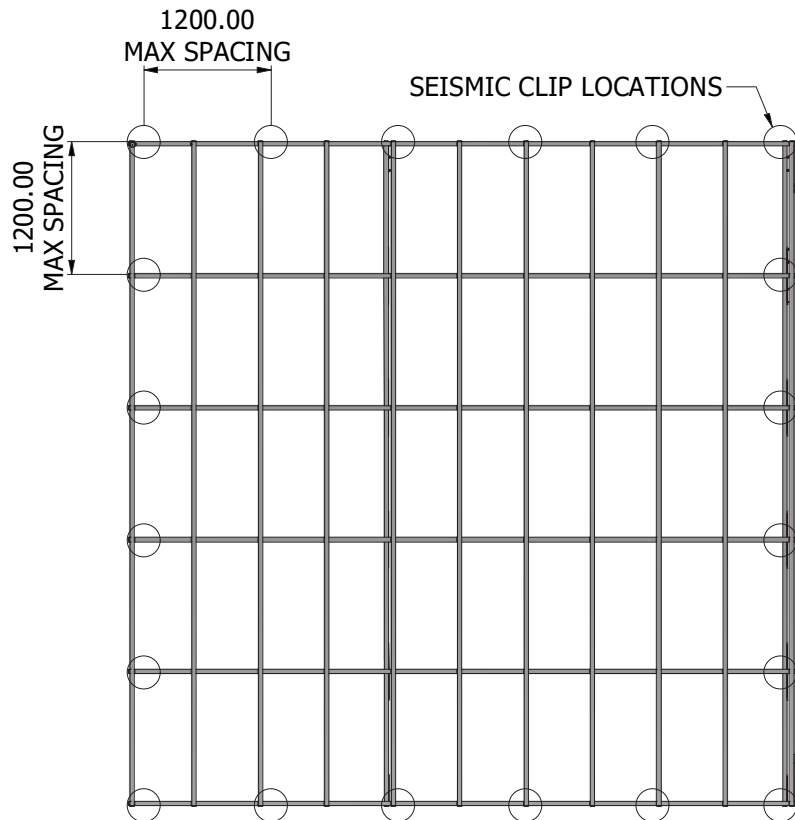
TRIMDECK ROOF PROFILES



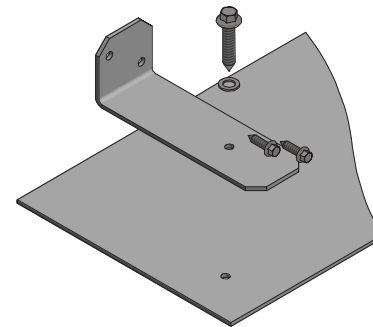
A (1 : 2)



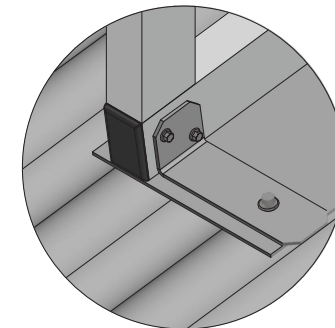
B (1:2)



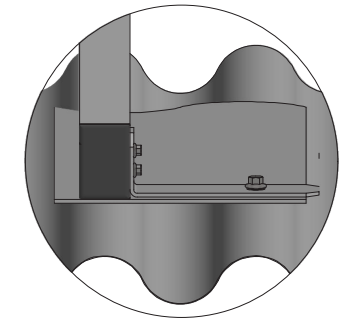
CORRUGATED & SPANDECK ROOF PROFILES



AAA (1 : 3)



BBB (1 : 3)



DESIGN NOTES

STRUCTURE IMPORTANCE = LEVEL 2
 BUILDING HEIGHT (PRIMARY BUILDING) = <12m
 EARTH DESIGN CATEGORY (EDC) = 1
 MAX LOAD RATING ON PLATFORM = 5.0kPa

 62 CORPORATION AVE., BATHURST NSW 2795, info@conformgroup.com.au 1300 882 490	 ALL DIMS. GIVEN IN MM NOT TO SCALE