

— Louvre Wall[©]

Product Specification Sheet



Louvre Wall[®]

System Overview

Conceal unsightly plant machinery and maximise airflow to machinery.
100% visual barrier to your HVAC units with minimum 55% airflow thanks to our flexible louvre system

Proprietary Item Code: LVW



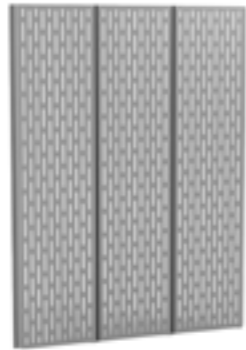
EasyScreen **Range**®

Architectural, Airflow & Acoustic Walls

Con-form Group has designed a unique screen to suit every project requirement including noise abatement, airflow management, concealment of unsightly objects and attractive architectural facades. With smooth visually appealing surfaces, these solid and ventilated screens feature high-quality materials and class-leading performance. Their prefabricated, modular design is easy to install. Available in a palette of sought after colours to complement or contrast roof scapes, the EasyScreen range is the most stylish and practical solution for an aesthetically pleasing commercial, industrial or residential application.



Conceal **Wall**®
Cost-Effective Visual
Barrier



Conceal **AeroWall**®
Cost-Effective Visual
Barrier with Airflow



Louvre **Wall**®
Visual Barrier with
Performance Airflow



Acoustic+ **Wall**®
Tunable Acoustic
Visual Barrier



Acoustic+ **LouvreWall**®
Acoustic Visual Barrier
with Performance Airflow



Acoustic+ **UltraWall**®
Premium Acoustic
Visual Barrier

Louvre Wall[®]

Applications and Advantages

- > Large format stores – Shopping Centres - Supermarkets
- > Large condenser platform screening.
- > General architectural screening.
- > Compressor enclosures and screening, Other mechanical plant equipment enclosures.
- > Aesthetic screening with 55% open air flow & sized to suit any plant equipment. Airflow can be increased to any specification.
- > Can be fitted directly to existing metal deck roofs.
- > Structural components provide highly durable, long-term stability and performance.
- > Built to withstand all weather conditions.
- > Easy assembly, design reduces the need for additional structural requirements.
- > System remains flexible during and after project design, allowing for changes late into the construction stage.

Technical Data

- > Lightweight at 7kg/m²
- > Heights include 1200mm, 1600mm, 2000mm 2400mm (custom heights also available).
- > Our screening solutions can be sized to suit any plant equipment allowing sufficient area around the units for access (available in any length to suit your needs).
- > Open space: 55% (custom spacing available on request)

Warranty

- > All steel components are backed by a 25 year warranty.
- > Replaceable items are covered by a 10-Year Warranty.



Maintenance

- > Visual inspection for any damage or loose fittings is recommended annually. Report any damage or loose fixings to asset manager or building owner for correction.
- > No certified maintenance is required that effects lifespan or performance of product.

Colour Options

- > Available in three popular Colorbond colour choices.



SURF MIST
(Off-white)

SHALE GREY
(Gull-grey)

MONUMENT
(Gun metal grey)

Colorbond[®]

Certification

- > Australian Standards: AS1170.1, AS1170.2, AS1657 & AS1664.1 & Relevant Clauses of the Building Code of Australia
- > Wind loads in accordance with AS/NZS 1170.2, and based on the following parameters: VR,500 = as listed below; and Ms = 1.00, Mt = 1.00, Md, =1.00, and Mz,cat.
- > Wind Loads: Con-form products have been certified for wind regions A, B and C.
 - V500 = 45m/s - Region A - Tc 2.5
 - V500 = 57m/s - Region B - Tc 2.5
 - V500 = 66m/s - Region C - Tc 2.5



Project examples

Whyalla Secondary School, SA

Louvre Wall© is designed to optimize airflow to rooftop mounted HVAC+R units while maintaining a visually cohesive and architecturally refined façade. Combining innovative engineering with modern aesthetics, it delivers efficient ventilation performance without compromising the building's overall design integrity.



Project examples

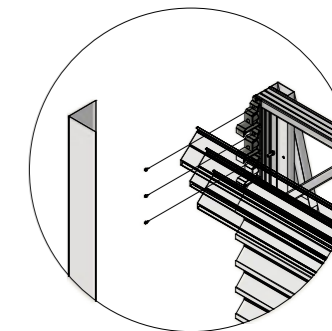
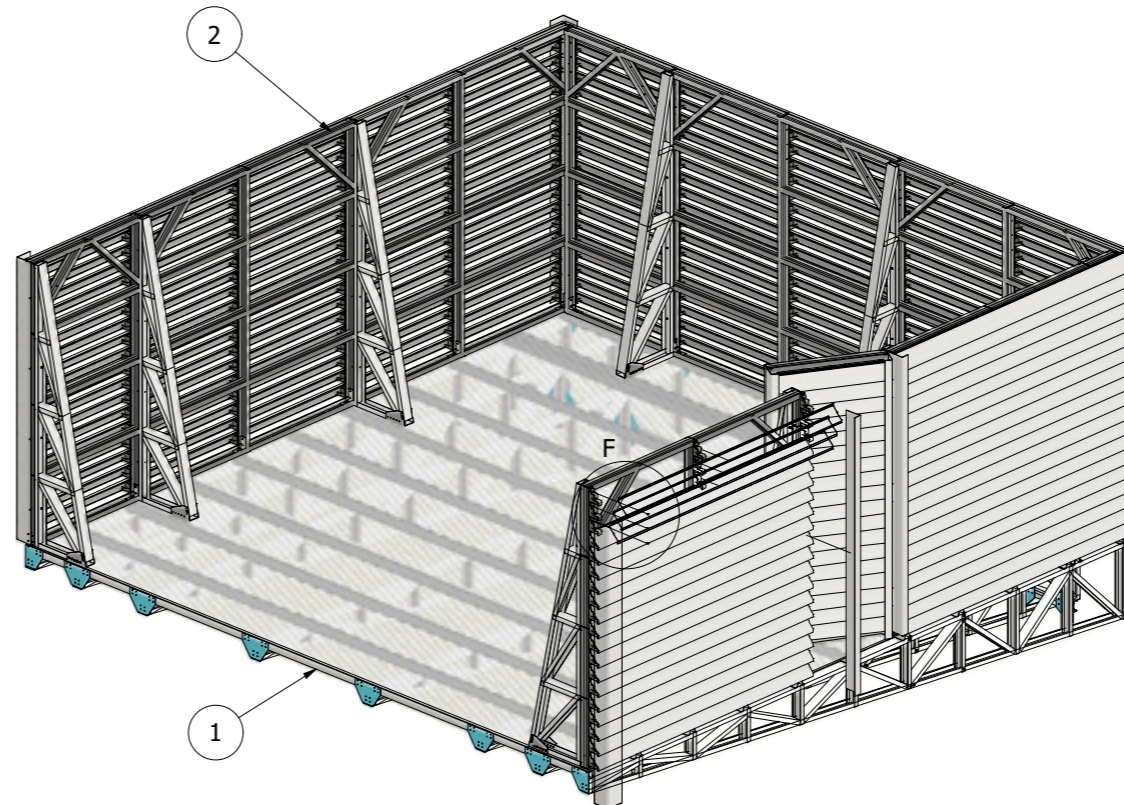
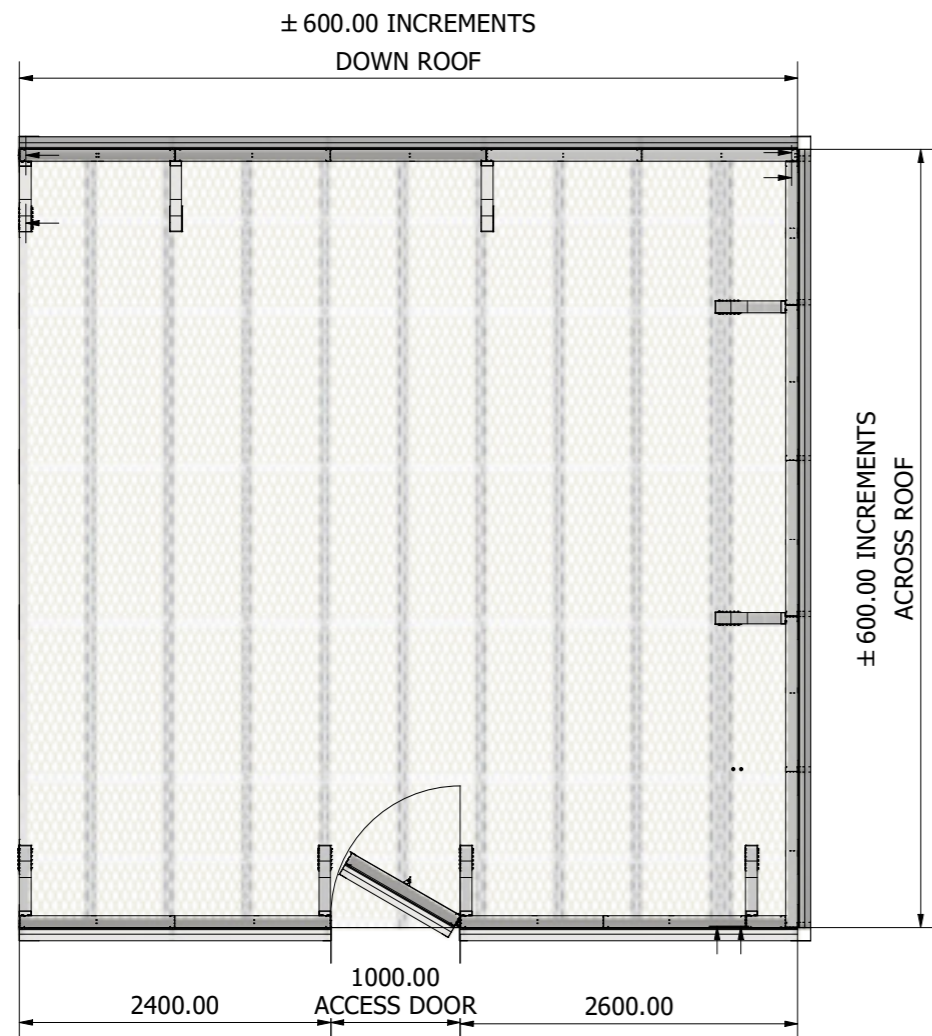
Versatile system options

We can install all screen solutions (including Acoustic+ and Louvre Walls) direct to metal and concrete roof membranes.



PARTS LIST			
ITEM	QTY	PART NUMBER	DESCRIPTION
1	1	CFG-102	Easy Mech, MR, A
2	1	CFG-402-007	EasyScreen, Louvre Wall, Asm, C

REVISION HISTORY			
REV	DESCRIPTION	DATE	APPROVED
A		13/12/2023	RM



F (1 : 20)
LOUVRE FIXING DETAIL

Design Notes:

CFG-400-237 Post and Rail System specifically for use with Louvre Screen System
Relevant Products

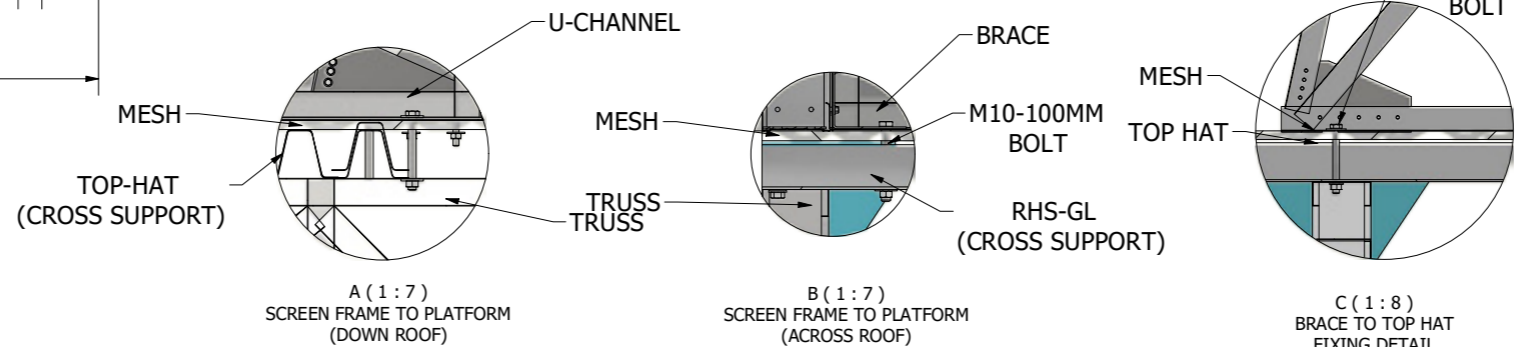
- Acoustic+ Screening System
- Classic Screen System

Standard Screen & Frame Height:

- a) 1200MM
- b) 1600MM
- c) 1800MM
- d) 2000MM
- e) 2400MM (Shown)

Note:

(Refer to CFG-400-237 for Screen Framing Details)
(Refer to CFG-400-003 for Post Brace Details)



Design Certification

The following review has been carried out in accordance with the following SAI Codes of Practice:

AS 1657 Fixed Platforms, Walkways, Stairways and Ladders Code

AS 1170 Structural Design Actions Code (Parts 0, 1, and 2)

AS 4600 Cold-formed Steel Structures Structure Importance level 2 (normal structure), in accordance with the BCA;

Super-imposed dead load
to platforms = 0.20kPa

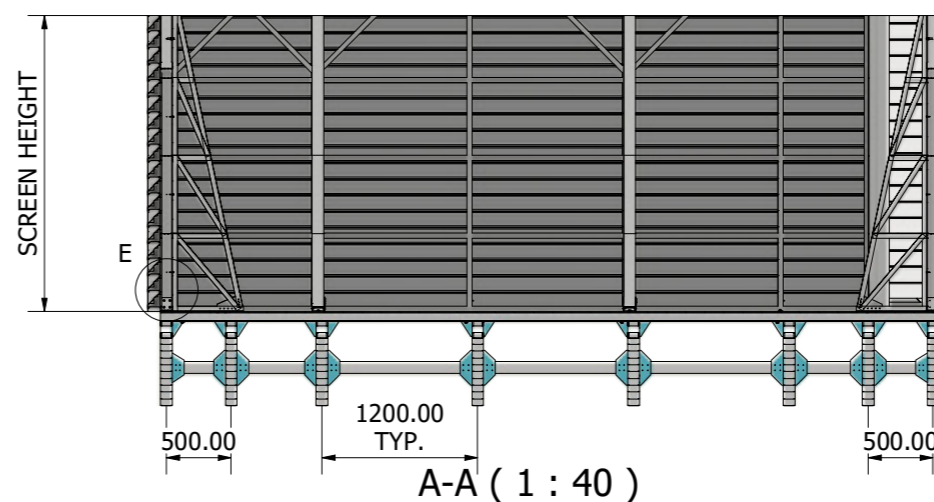
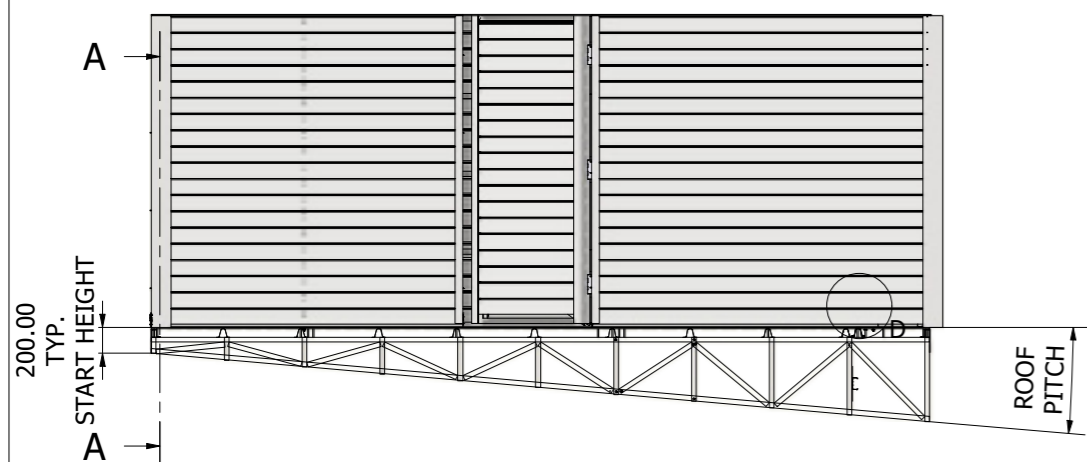
Assembly Materials

Frame: 0.75mm, G550, AZ150,

Aluminium Zinc Coated Steel

Inj Louvre Brackets: ABS (UV Resistant)

Louvres Blades: 0.55mm, G300, AZ150, Prepainted Steel



19 CORPORATION AVE, BATHURST NSW 2795,
info@conformgroup.com.au
1300 882 490

ALL DIMS. GIVEN IN MM

Scale: 1 : 40 REV: A

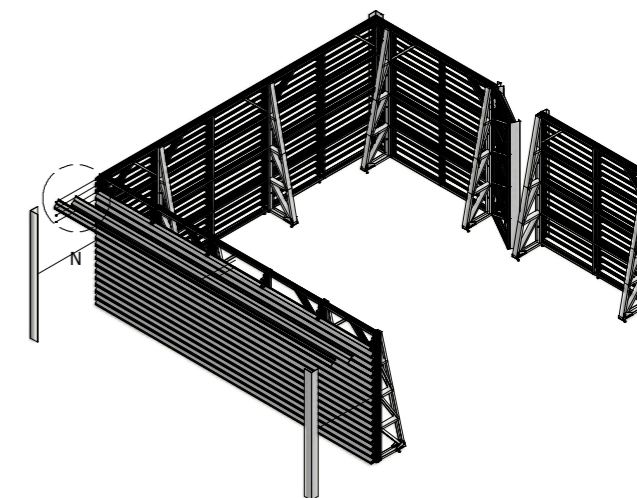
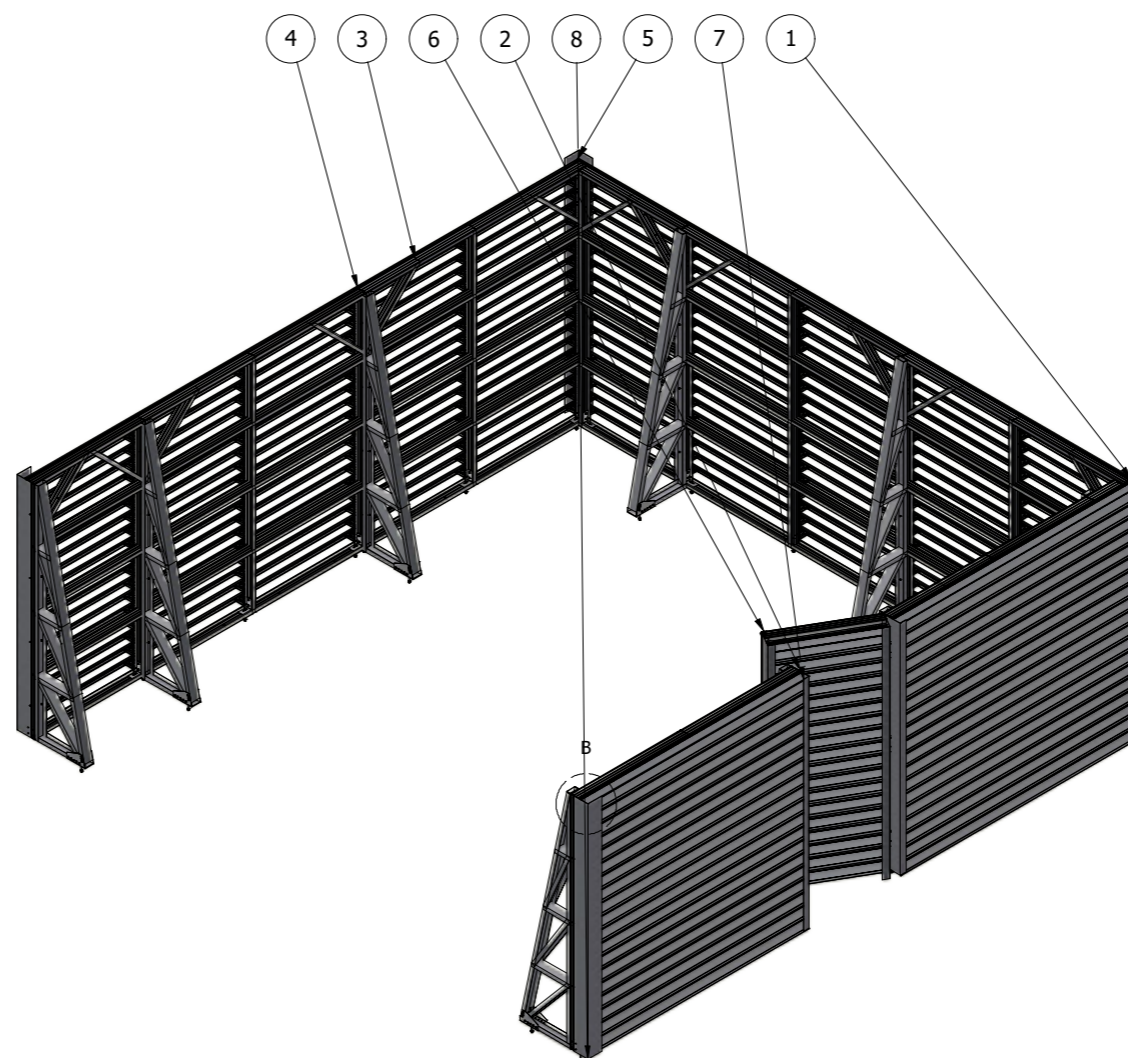
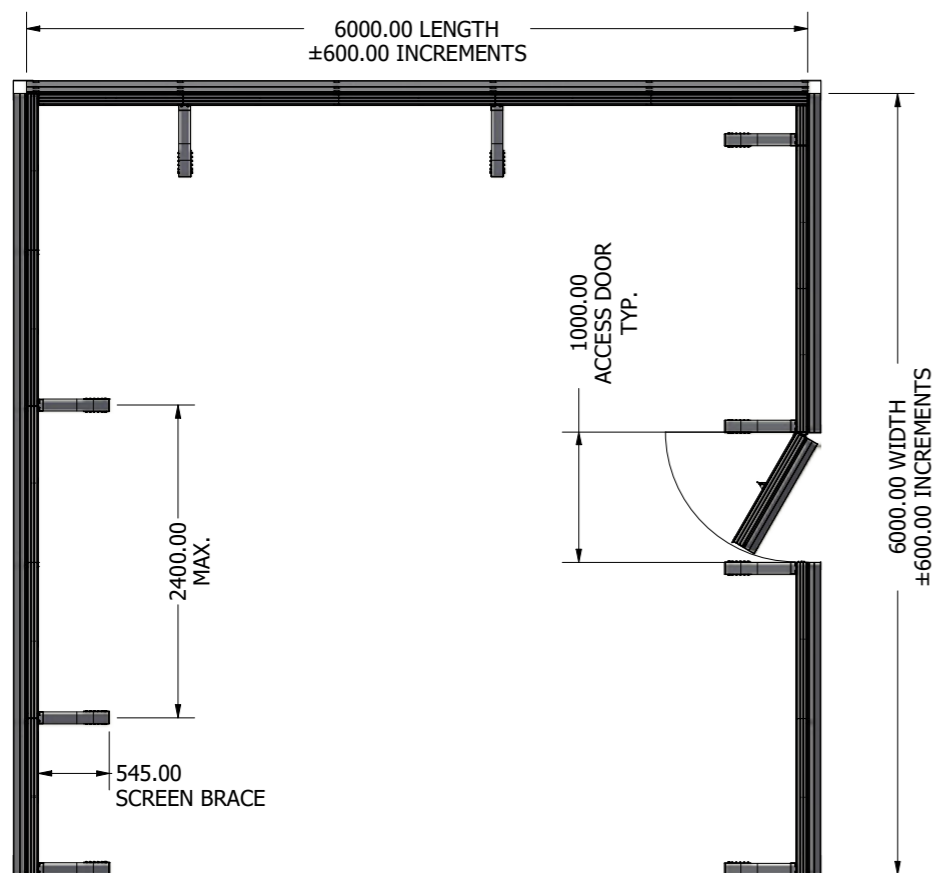
Product
Easy Mech, MR, LouvreWall, ASM, A

Drawing Title
CFG-196

Sheet
1 OF 1

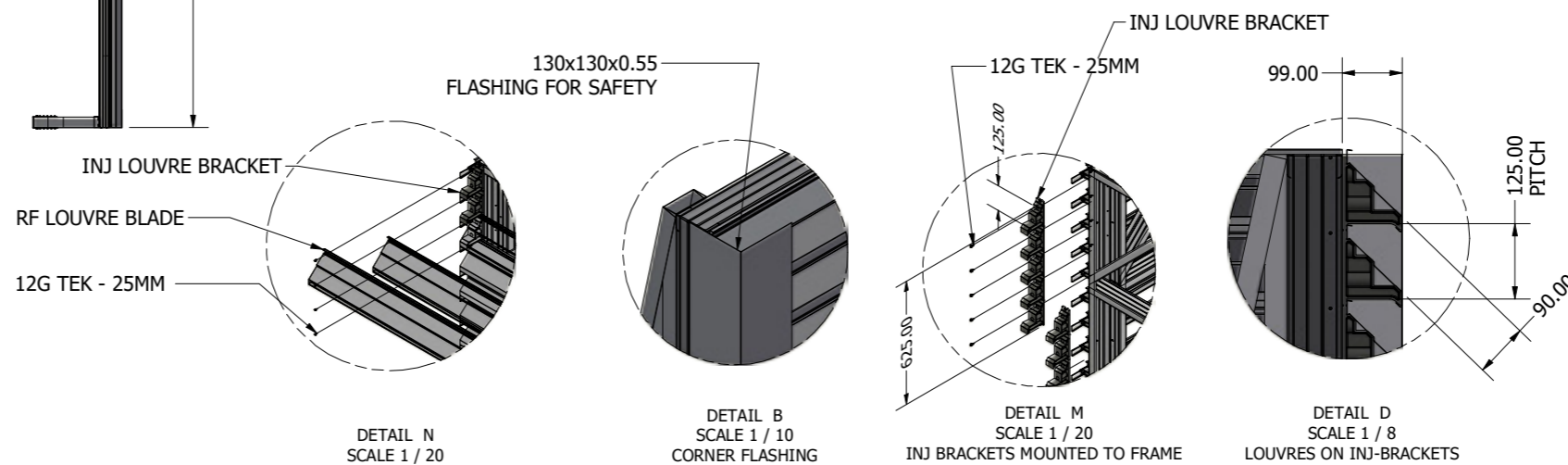
PARTS LIST			
ITEM	QTY	PART NUMBER	DESCRIPTION
1	19	CFG-400-237-01	Louvre Blade, Roll Formed, Extruded, A
2	19	CFG-400-237-02	Louvre Blade, Roll Formed, Extruded, B
3	1	CFG-400-238	Rollform, Easy Frame, Asm, A
4	68	CFG-400-284	Louvre Bracket, Inj Mold, 600, B
5	38	CFG-402-002	Louvre Blade, Roll Formed, 6000, A
6	1	CFG-402-003	Door, Classic Louvre, RF, 932, 2400, ASM, A
7	2	CFG-402-003-02	Louvre Door Flashing, 2400, 150x60x0.55, A
8	4	CFG-600-095	Screen Corner Flashing - 130x130x0.55, A

REVISION HISTORY			
REV	DESCRIPTION	DATE	APPROVED
A	CREATED	12/19/2023	MQ
B	UPDATED RF	22/08/2024	RM



Design Notes:

CFG-400-238 Frame System specifically for use with Screen Systems.
 Relevant Products
 - Acoustic+ Screening System
 - Conceal Screen System
 Standard Screen & Frame Height:
 a) 1200MM
 b) 1600MM
 c) 1800MM
 d) 2000MM
 e) 2400MM (Shown)
 Note:
 (Refer to CFG-400-238 for Framing Details)
 (Refer to CFG-401-002 for Post Brace Details)



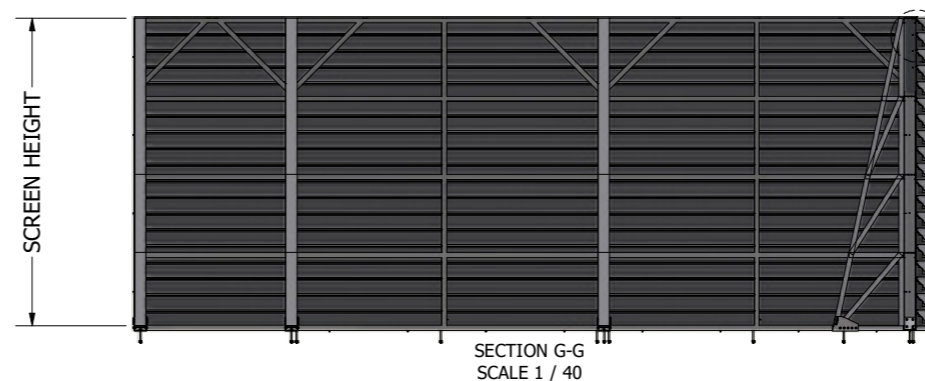
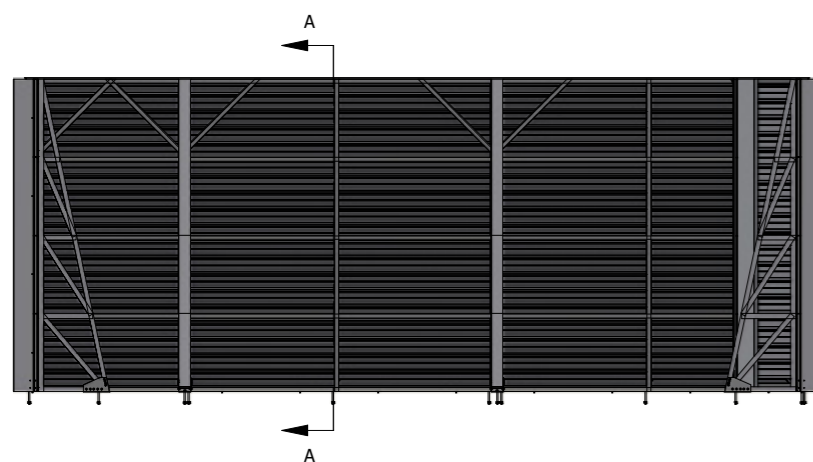
Design Certification

The following review has been carried out in accordance with the following SAI Codes of Practice:
 AS 1657 Fixed Platforms, Walkways, Stairways and Ladders Code
 AS 1170 Structural Design Actions Code (Parts 0, 1, and 2)
 AS 4600 Cold-formed Steel Structures Structure Importance level 2 (normal structure), in accordance with the BCA;

Super-imposed dead load
 to platforms = 0.20kPa

Assembly Materials

Frame: 0.75mm, G550, AZ150, Aluminium Zinc Coated Steel
 Inj Louvre Brackets: ABS (UV Resistant)
Louvres Blades: 0.55mm, G300, AZ150, Prepainted Steel



19 CORPORATION AVE, BATHURST NSW 2795,
 info@conformgroup.com.au
 1300 882 490

ALL DIMS. GIVEN IN MM

Scale: 1 / 40	REV: A
Product EasyScreen, Louvre Wall, Asm, C	
Drawing Title CFG-402-007	
Sheet 1 OF 1	

Con-form[®] GROUP

Making it *Easy*



Our Capability Brands



Manufacturing
Centre of Excellence



Digital Design
Centre



Product
Development Centre



Custom
Engineered Product



Architectural
Creative Partner



Design
To Install