

# Acoustic+ LouvreWall

PROPRIETARY ITEM CODE: ACOU+LVW

## PRODUCT DESCRIPTION

An ultra-high-performance noise wall system developed to maximise airflow to machinery.

## SPECIFICATION

### WORDING

- ▶ System shall be Con-form Group Acoustic+, proprietary code: ACOU+LVW

### APPLICATIONS

Perfect for a wide range of noise-reduction applications:

- ▶ Data Centres
- ▶ Large format stores – Shopping Centres - Supermarkets
- ▶ Large condensor screening,
- ▶ General architectural screening,
- ▶ Compressor enclosures and screening,
- ▶ Other mechanical plant equipment enclosures.

## FEATURES AND ADVANTAGES

- ▶ Acoustic+ is Australia's leading external acoustic wall system in performance, design and value.
- ▶ Con-form Group's most effective system at reducing sound energy whilst maintaining critical airflow and ventilation.
- ▶ Non-invasive - perfect to retrofit.
- ▶ Aesthetic screening with open air flow and can be sized to suit any plant equipment.
- ▶ Can be fitted directly to existing metal deck roofs.
- ▶ Structural components provide highly durable, long-term stability and performance.
- ▶ Built to withstand all weather conditions.
- ▶ Absorptive barrier is moisture resistant, UV resistant and fire retardant.
- ▶ Easy assembly, design reduces the need for additional structural requirements.

System remains flexible during and after project design, allowing for changes late into the construction stage.

## TECHNICAL DATA

- ▶ **NRC** (Noise Reduction Coefficient) = 0.95
- ▶ **Rw** - Can be produced to suit project requirements
- ▶ **Airflow** - 200mm Deep - 30% Free Open Area  
- 300mm Deep - 47% Free Open Area  
- 400mm Deep Chevron - 33% Free Open Area
- ▶ **Unit Height** to suit project requirements  
200mm Blade Repeats Typical
- ▶ **Fire Resistance:** When tested in accordance with AS1530.3 (1999), "Early Fire Hazard Properties of Materials", PSB exhibit the following characteristics:  
Ignitability Index: 0  
Spread of Flame Index: 0  
Heat Evolved: 0  
Smoke Developed Index: 0 - 3



- ▶ **Environmental & Health Benefits:**  
Recycled Fibre Content: 80% minimum.  
Volatile Organic Compounds (VOC's): No harmful VOC's.  
Formaldehyde Content: Nil  
Phenol Content: Nil  
Ammonia Content: Nil  
Ozone Depleting Potential (ODP): Nil  
Chloride Content  
Total Recyclable Content: 100%

- ▶ **Moisture Resistance:** Exposure to an atmosphere of 50°C and 95% relative humidity for 4 days results in less than 0.2% by vol moisture absorption.

- ▶ **Maximum Service Temperature:** The maximum temperature to which Acoustic+ should be exposed in service is 95°C.
- ▶ PET (polyethylene terephthalate) is made from 80% recycled materials and unaffected by moisture making it ideal for external applications.

## CERTIFICATIONS

- ▶ **Australian Standards:** AS/NZS1170.1, AS1170.2, AS V1170.4, AS1657 & AS1664.1 & Relevant Clauses of the Building Code of Australia
- ▶ **Wind Loads:** Wind loads in accordance with AS/NZS 1170.2, and based on the following parameters: VR,500 = as listed below; and Ms = 1.00, Mt = 1.00, Md, =1.00, and Mz,cat.

Con-form Group products have been certified for wind regions A, B and C



A B C

- V500 = 45m/s - Region A - Tc 2.5
- V500 = 57m/s - Region B - Tc 2.5
- V500 = 66m/s - Region C - Tc 2.5

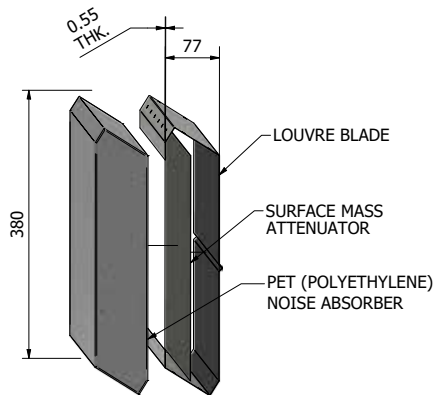
## WARRANTY

- ▶ All components backed by a 25 year warranty.



ACOUSTIC LOUVRE WALL  
SYSTEM WITH ULTRA NOISE  
REDUCTION BY REFLECTION &  
ABSORPTION.

# Acoustic+ LouvreWall



## MAINTENANCE

- ▶ Visual inspection for any damage or loose fittings is recommended annually. Report any damage or loose fixings to asset manager or building owner for correction.

No certified maintenance is required that effects lifespan or performance of product.

## COLOUR OPTIONS

Available in three popular Colorbond colour choices.

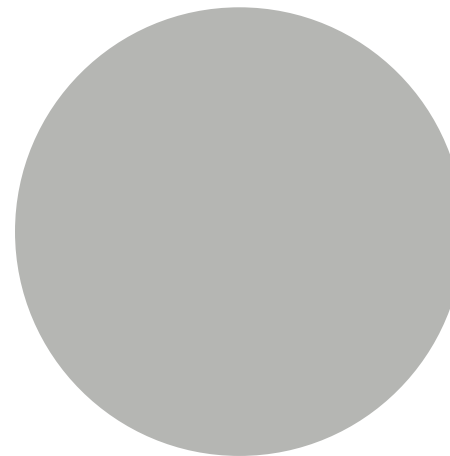
Other colours available on request

Colorbond<sup>®</sup>



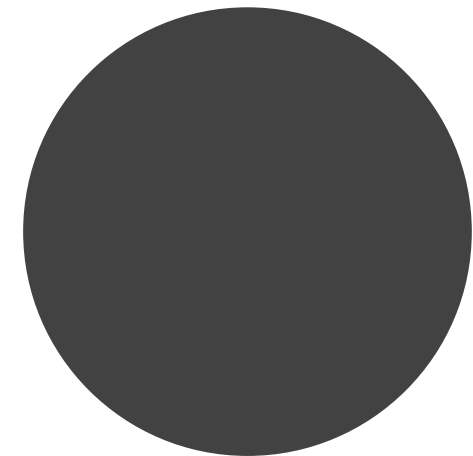
**SURF MIST**

*(Off-white)*



**SHALE GREY**

*(Gull-grey)*



**MONUMENT**

*(Gun metal grey)*

100% total recyclable content.

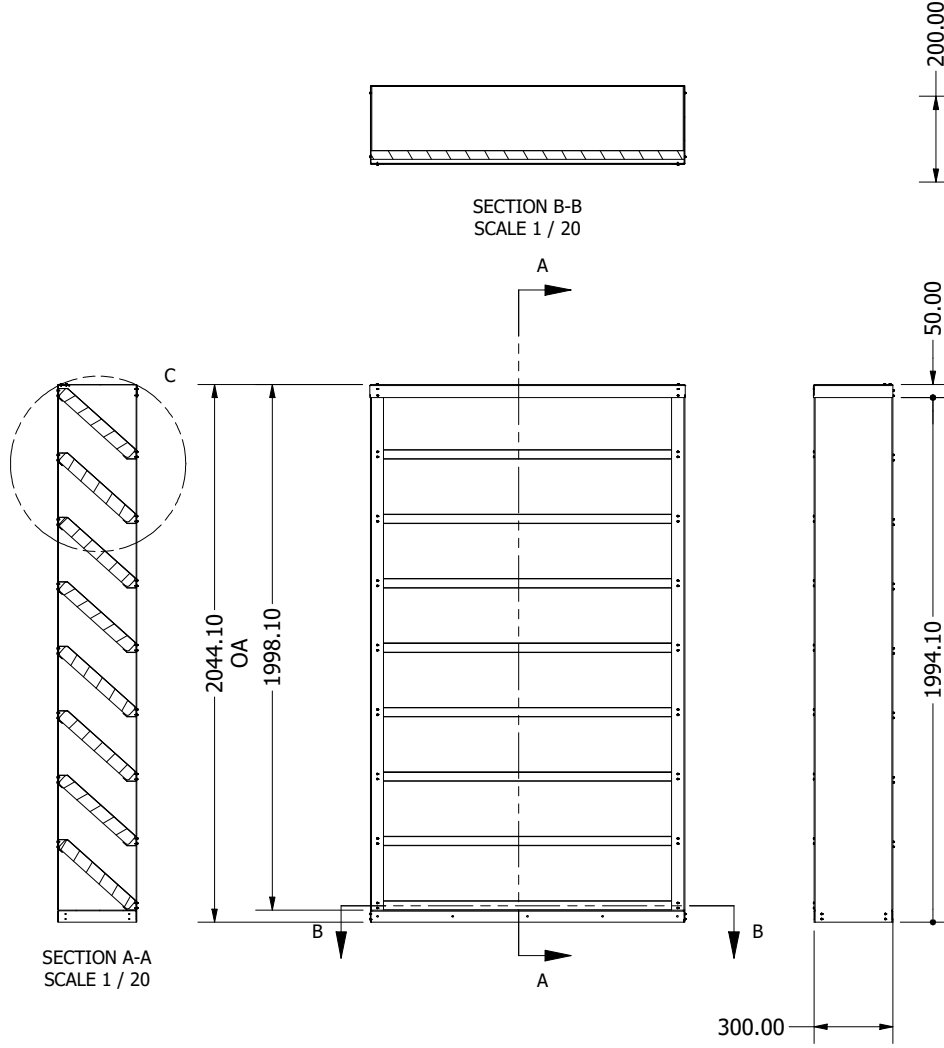


# Acoustic+ LouvreWall

**Con-form**  
GROUP  
Making it *Easy*

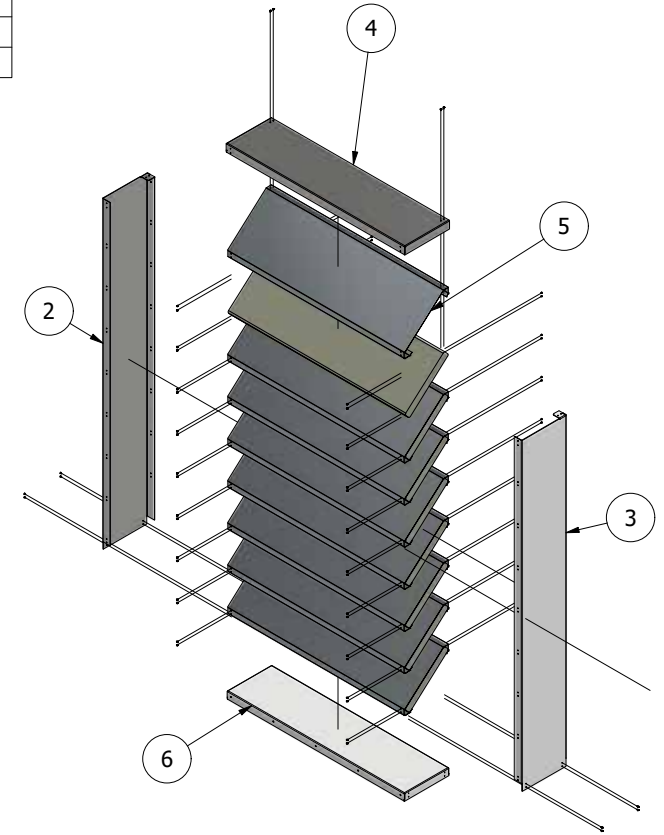


PARTS LIST			
ITEM	QTY	PART NUMBER	DESCRIPTION
1	2	50mm Flashing, Hemmed - 1900, A	50mm Flashing, Hemmed - 1900, A
2	1	CFG-400-160-01	Acoustic+ LouvreWall, 2000, Bracket, LH, A
3	1	CFG-400-160-02	Acoustic+ LouvreWall, 2000, Bracket, RH, A
4	1	CFG-400-160-05	Acoustic+ LouvreWall, Bracket Cover, 1200, A
5	8	CFG-400-221	Easy Screen, Acoustic Blade, Asm, 1200, A
6	1	CFG-400-223-01	Acoustic+ LouvreWall, Bracket Lower, 1200, A
7	64	AS B194 - No. 6 x 5/16-PR2 AB	Tapping and metallic drive screws (inch series)
8	16	AS B194 - No. 6 x 5/16-PR1 AB	Tapping and metallic drive screws (inch series)



Note: Design indicated typical.  
Refer to Following spec pages for  
Open Airflow.

- Options:  
 200.00 Deep  
 300.00 Deep (Standard)  
 400.00 Chevron  
 600.00 Chevron



Material:

<p>19 CORPORATION AVE, BATHURST NSW 2795, info@conformgroup.com.au 1300 882 490</p>	<p>ALL DIMS. GIVEN IN MM</p>
<p>Product</p> <p><b>Easy Screen, Acoustic+ LouvreWall, 2000,</b></p>	
<p>Drawing Title</p> <p><b>CFG-400-223</b></p>	<p>Sheet</p> <p>1 OF 6</p>

4

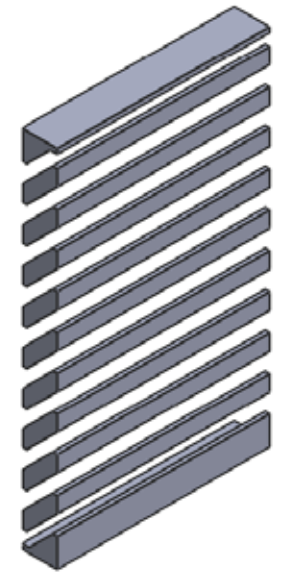
3

2

1

Product	Predicted Insertion Loss - Octave Band Frequency (Hz)					
	125	250	500	1000	2000	4000
200	5	6	11	14	16	18

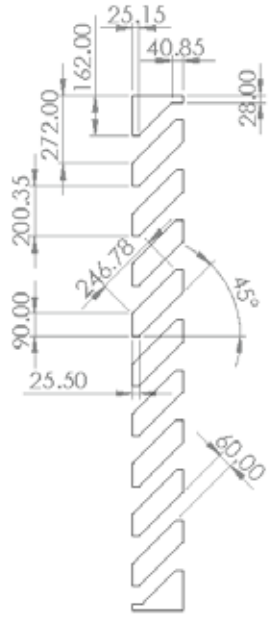
- 200mm Deep - 30% Free Open Area



Isometric View

B

B



A

A



NATIONAL NOISE & VIBRATION

4

3

2

1

4

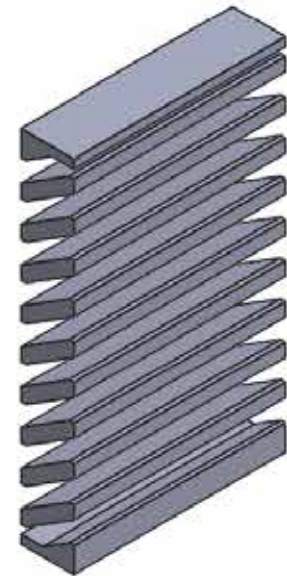
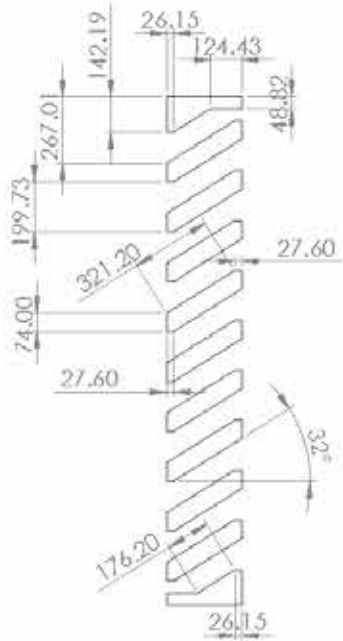
3

2

1

Product	Predicted Insertion Loss - Octave Band Frequency (Hz)					
	125	250	500	1000	2000	4000
300	5	7	12	18	25	30

- 300mm Deep - 47% Free Open Area



Isometric View



NATIONAL NOISE & VIBRATION

4

3

2

1

B

B

A

A

4

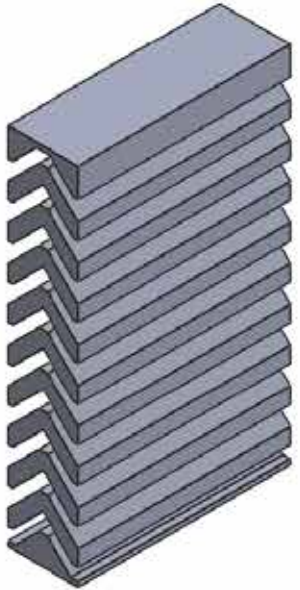
3

2

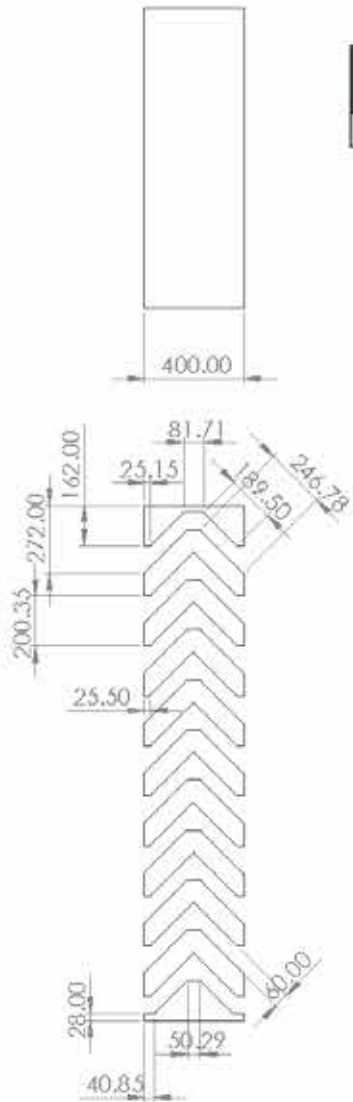
1

Product	Predicted Insertion Loss - Octave Band Frequency (Hz)					
	125	250	500	1000	2000	4000
400/Chevron	5	10	17	21	25	28

- 400mm Deep Chevron - 33% Free Open Area



Isometric View



NATIONAL NOISE & VIBRATION

4

3

2

1

B

B

A

A

4

3

2

1

B

B

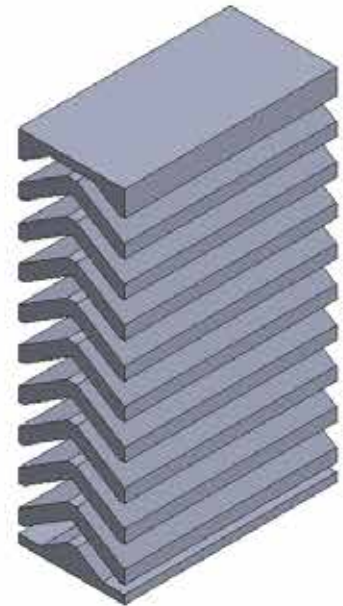
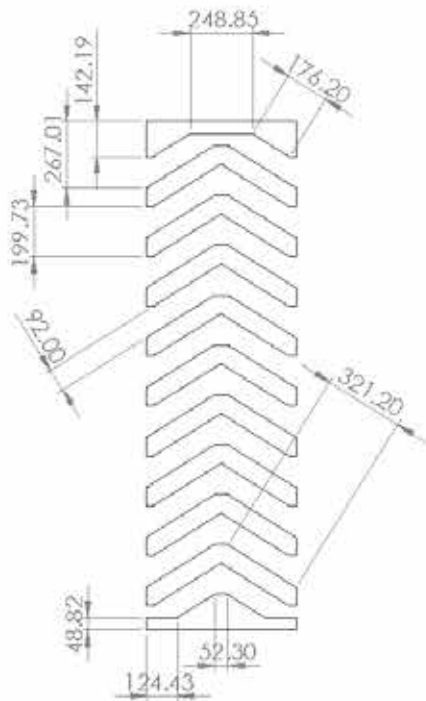
A

A



Product	Predicted Insertion Loss - Octave Band Frequency (Hz)					
	125	250	500	1000	2000	4000
600/Chevron	5	9	17	25	26	27

- 600mm Deep Chevron Free Open Area TBC



Isometric View



NATIONAL NOISE & VIBRATION

4

3

2

1